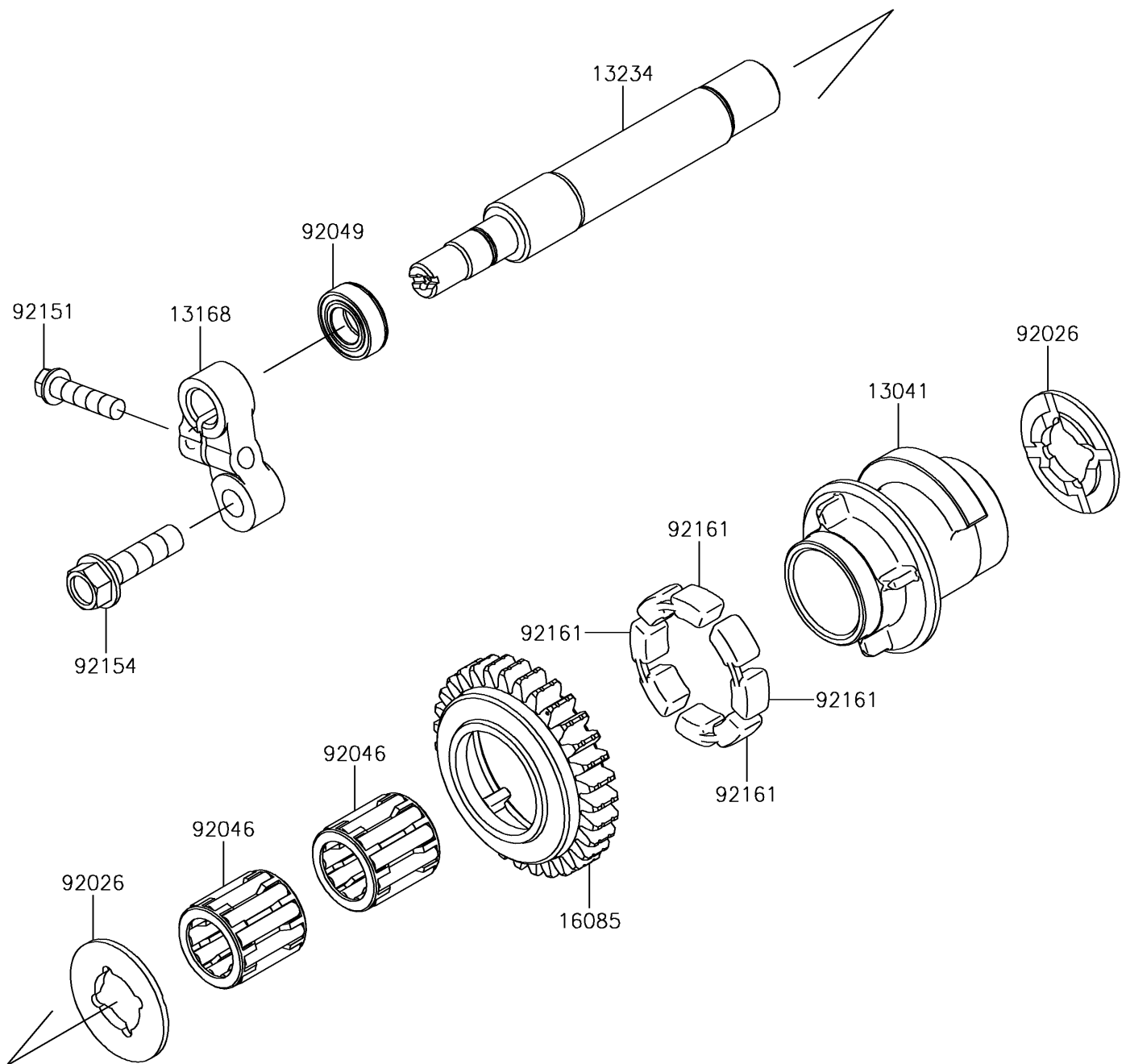


# 2018 NINJA<sup>®</sup> ZX<sup>™</sup>-10RR

## PARTS DIAGRAM

### Balancer

E1323



# 2018 NINJA® ZX™ -10RR

## PARTS LIST

### Balancer

**ITEM NAME**

**PART NUMBER**

**QUANTITY**

---