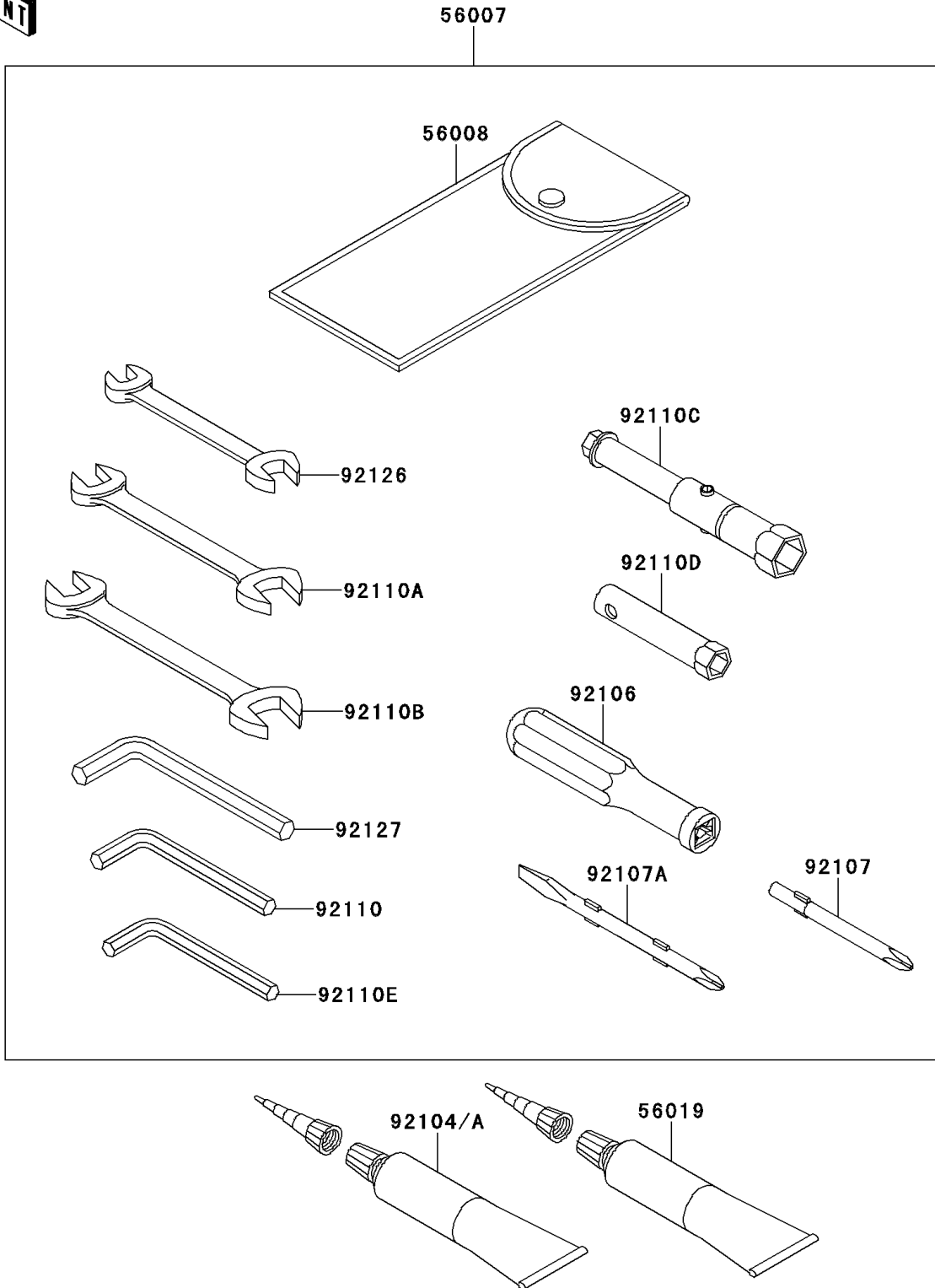


2008 Concours™ 14

PARTS DIAGRAM

Owner's Tools

F2810



2008 Concours™ 14

PARTS LIST

Owner's Tools

ITEM NAME

PART NUMBER

QUANTITY
