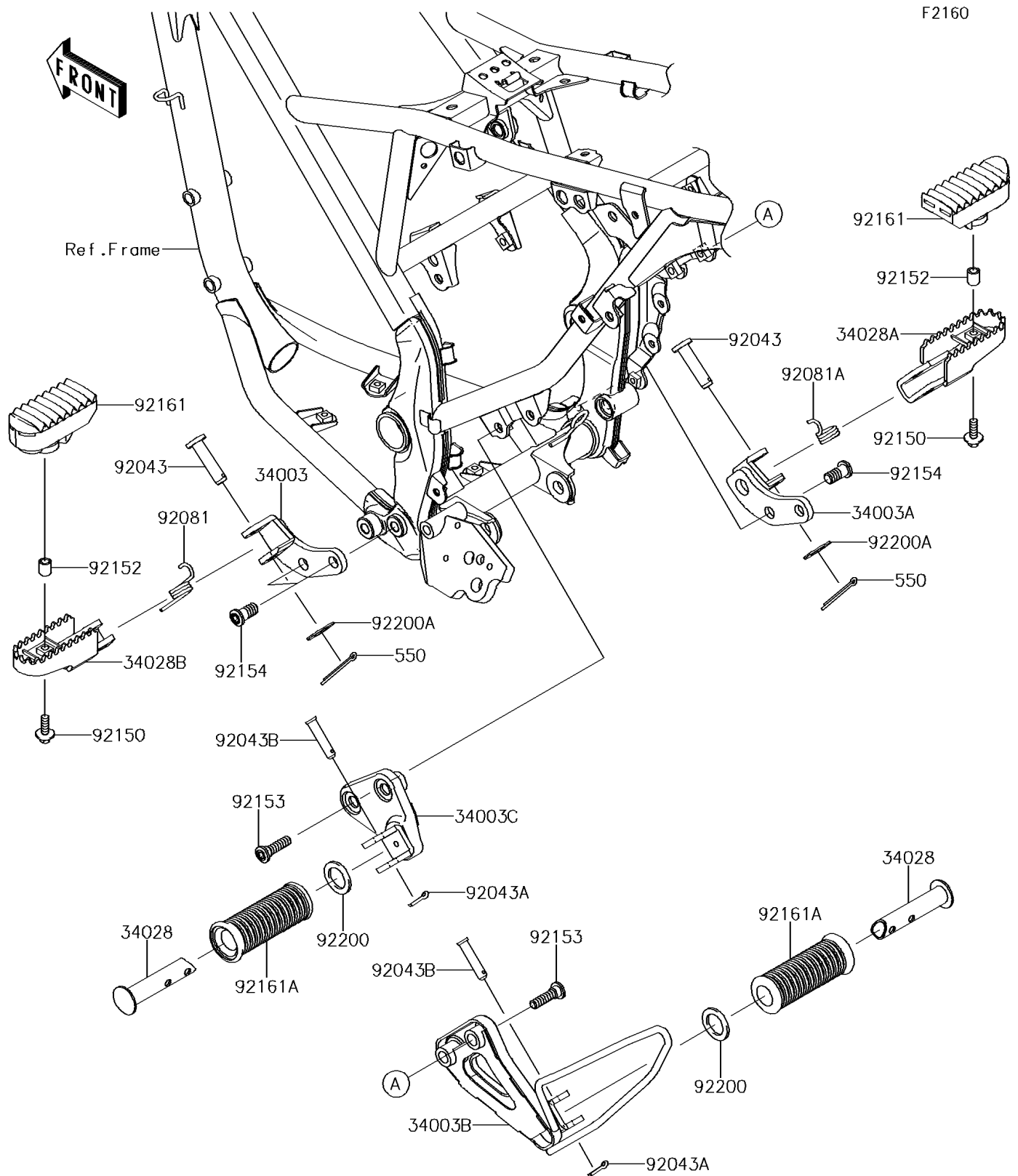


# 2017 KLX150L (Latin America)

## PARTS DIAGRAM

### Footrests



# 2017 KLX150L (Latin America)

## PARTS LIST

### Footrests

**ITEM NAME**

**PART NUMBER**

**QUANTITY**

---