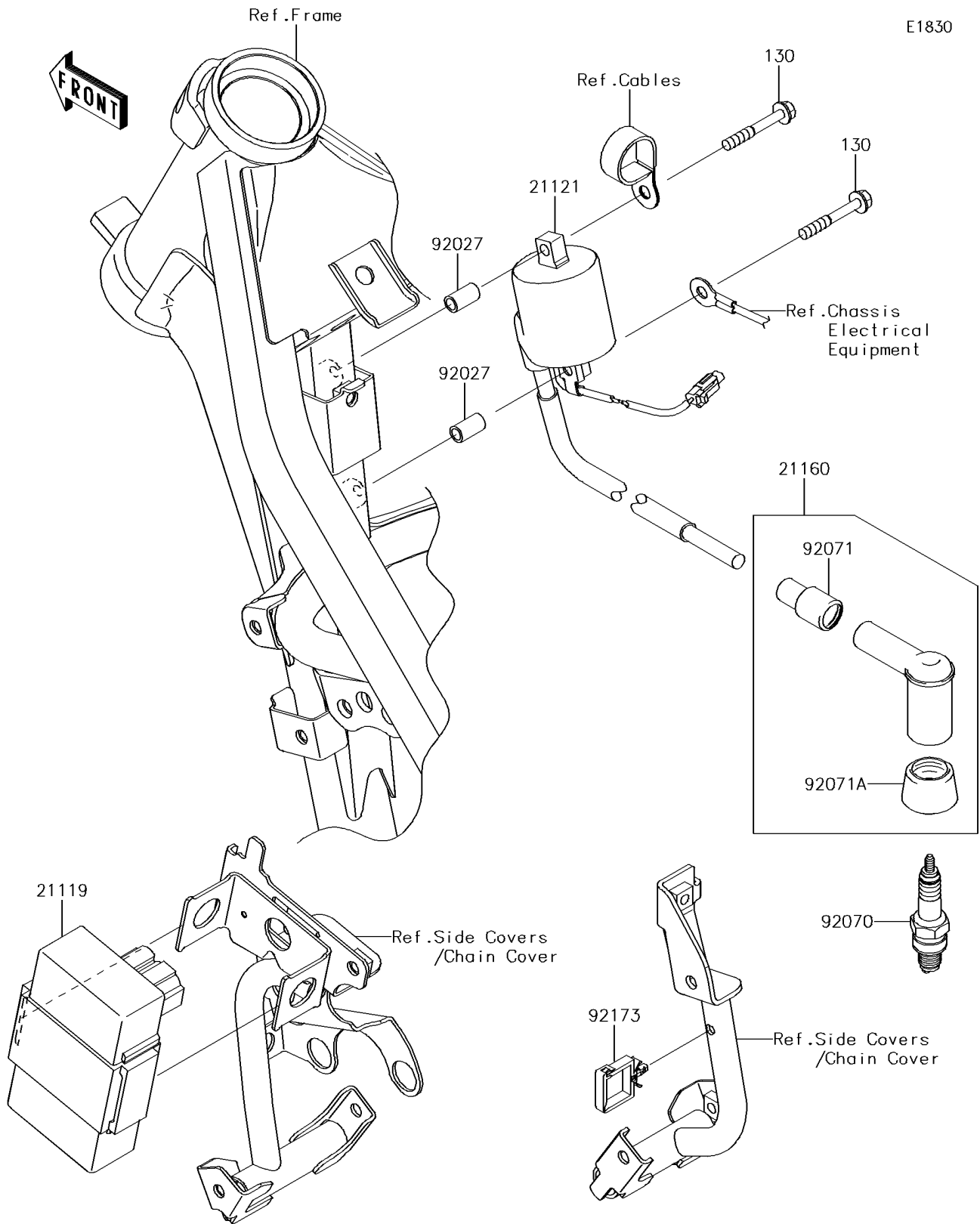


2015 KLX150L (Latin America)

PARTS DIAGRAM

Ignition System



2015 KLX150L (Latin America)

PARTS LIST

Ignition System

ITEM NAME	PART NUMBER	QUANTITY
-----------	-------------	----------
