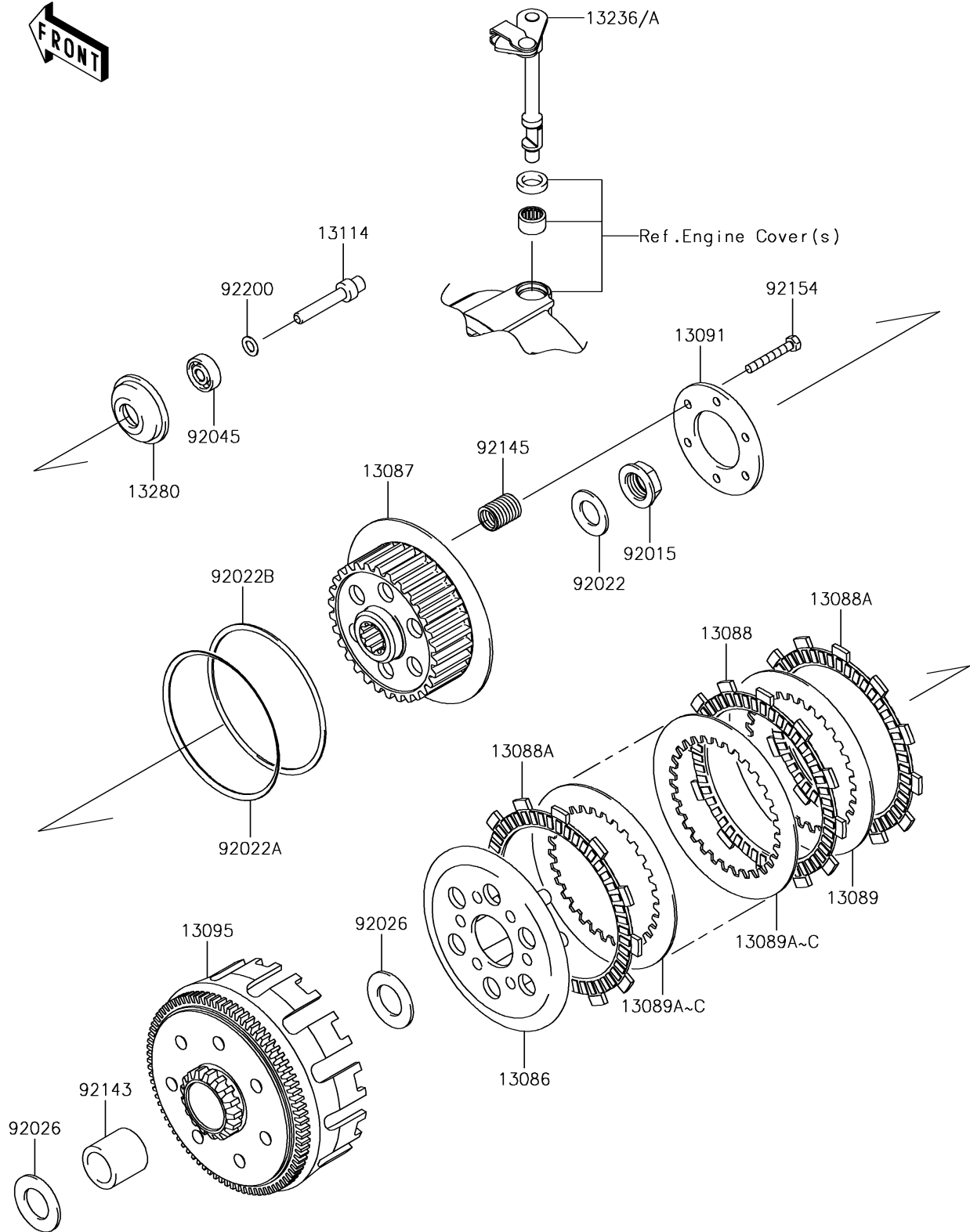


# 2016 Z250SL

## PARTS DIAGRAM

### Clutch

E1350



# 2016 Z250SL

## PARTS LIST

### Clutch

**ITEM NAME**

**PART NUMBER**

**QUANTITY**

---