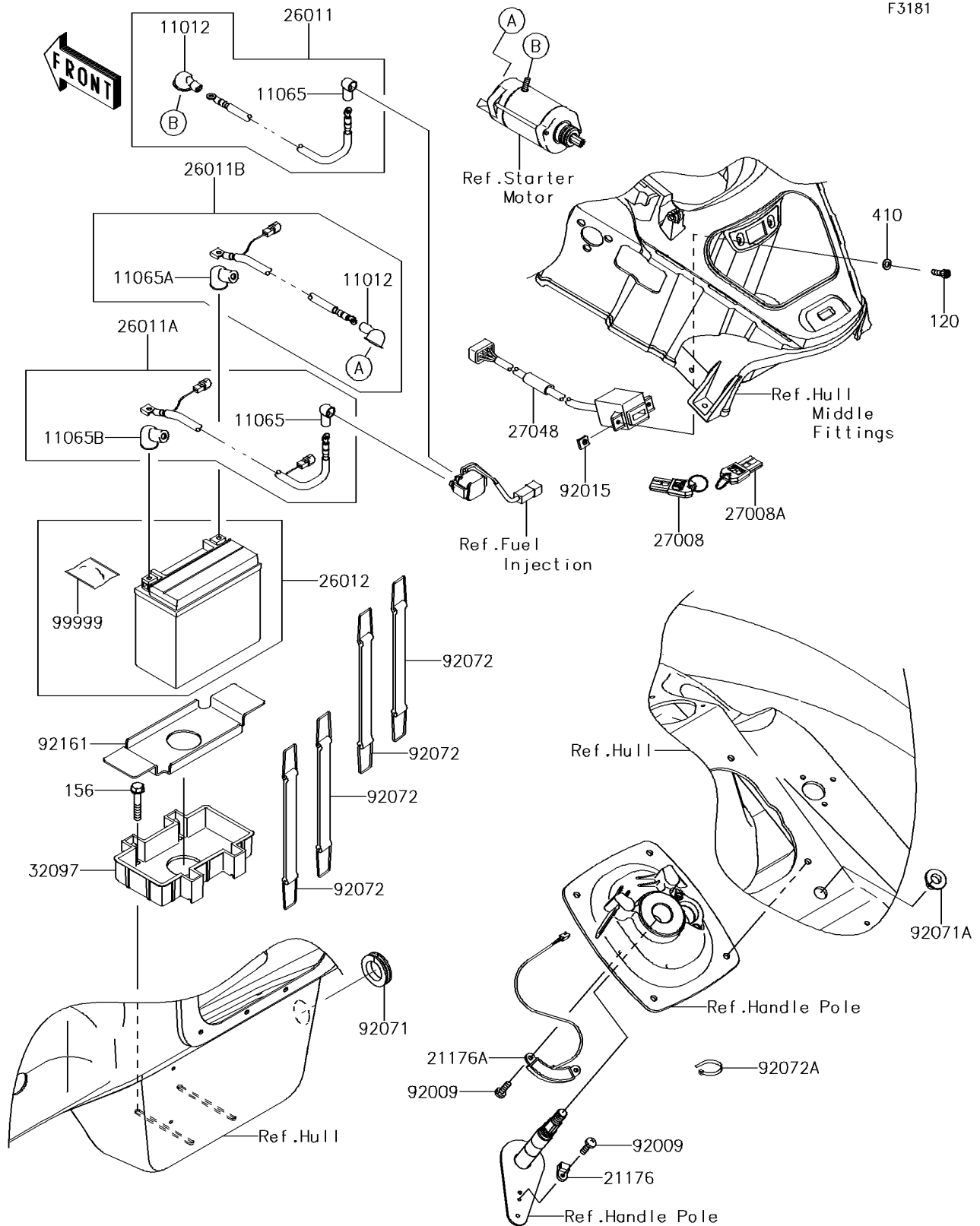


2015 JET SKI® ULTRA® 310X SE

PARTS DIAGRAM Electrical Equipment



2015 JET SKI® ULTRA® 310X SE

PARTS LIST

Electrical Equipment



ITEM NAME	PART NUMBER	QUANTITY
-----------	-------------	----------
