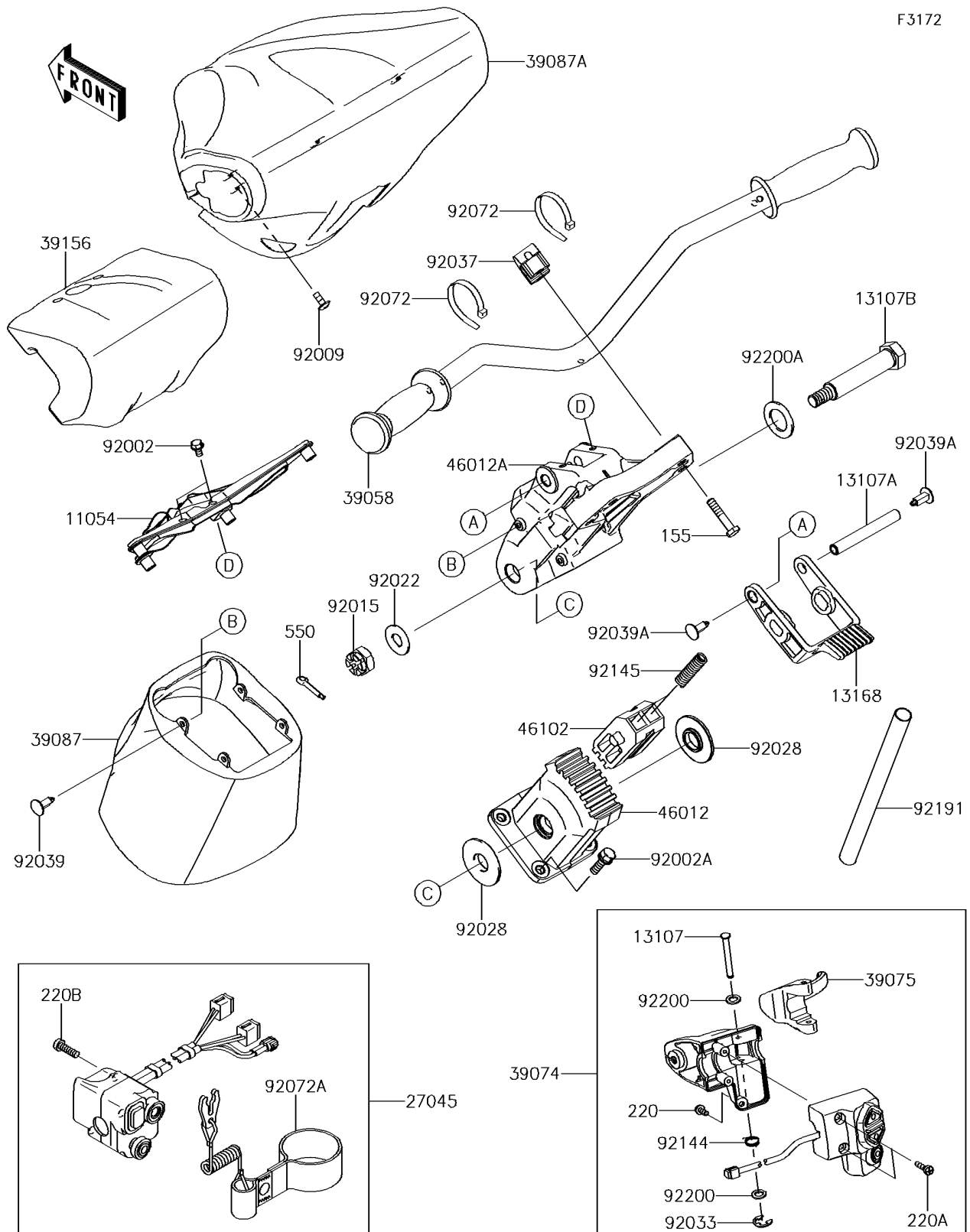


# 2016 JET SKI® ULTRA® 310X SE

## PARTS DIAGRAM

### Handlebar

F3172



# 2016 JET SKI® ULTRA® 310X SE

## PARTS LIST

### Handlebar

| ITEM NAME                                | PART NUMBER   | QUANTITY |
|--|---------------|----------|
| BRACKET,HANDLE PAD (Ref # 11054)         | 11054-3710    | 1        |
| SHAFT (Ref # 13107)                      | 13107-3766    | 1        |
| SHAFT (Ref # 13107A)                     | 13107-3795    | 1        |
| SHAFT,HANDLE HOLDER PIVOT (Ref # 13107B) | 13107-3803    | 1        |
| LEVER (Ref # 13168)                      | 13168-3754    | 1        |
| BOLT-WSP-SMALL,8X50 (Ref # 155)          | 155R0850      | 4        |
| SCREW-PAN-CROS,5X14 (Ref # 220)          | 220R0514      | 1        |
| SCREW-PAN-CROS,5X25 (Ref # 220A)         | 220R0525      | 2        |
| SCREW-PAN-CROS,5X30 (Ref # 220B)         | 220R0530      | 3        |
| SWITCH-ASSY,STOP&START (Ref # 27045)     | 27045-3767    | 1        |
| HANDLE-COMP,F.BLACK (Ref # 39058)        | 39058-0022-6Z | 1        |
| LEVER-ASSY-THROTTLE (Ref # 39074)        | 39074-3729    | 1        |
| LEVER-THROTTLE (Ref # 39075)             | 39075-3715    | 1        |
| PAD-HANDLE,F.BLACK (Ref # 39087)         | 39087-0007-6Z | 1        |
| PAD-HANDLE,F.BLACK (Ref # 39087A)        | 39087-3735-6Z | 1        |
| PAD (Ref # 39156)                        | 39156-1752    | 1        |
| HOLDER-HANDLE,LWR (Ref # 46012)          | 46012-3730    | 1        |
| HOLDER-HANDLE,UPP (Ref # 46012A)         | 46012-3733    | 1        |
| ROD,HANDLE POSITION (Ref # 46102)        | 46102-3733    | 1        |
| PIN-COTTER,3X35 (Ref # 550)              | 550S3035      | 1        |
| BOLT,6X12 (Ref # 92002)                  | 92002-3763    | 2        |
| BOLT,8X25 (Ref # 92002A)                 | 92002-3774    | 4        |
| SCREW,6X20 (Ref # 92009)                 | 92009-3781    | 4        |
| NUT,CASTLE,14MM (Ref # 92015)            | 92015-3805    | 1        |
| WASHER,15X34X2.0 (Ref # 92022)           | 92022-3738    | 1        |
| BUSHING (Ref # 92028)                    | 92028-3743    | 2        |
| RING-SNAP (Ref # 92033)                  | 92033-3723    | 1        |
| CLAMP,HANDLEBAR (Ref # 92037)            | 92037-503     | 2        |
| RIVET (Ref # 92039)                      | 92039-3787    | 4        |

# 2016 JET SKI® ULTRA® 310X SE

## PARTS LIST

### Handlebar

| ITEM NAME                         | PART NUMBER | QUANTITY |
|-----------------------------------|-------------|----------|
| RIVET (Ref # 92039A)              | 92039-3788  | 2        |
| BAND,L=188.85 (Ref # 92072)       | 92072-0105  | 2        |
| BAND,TETHER SWITCH (Ref # 92072A) | 92072-3809  | 1        |
| SPRING (Ref # 92144)              | 92144-3749  | 1        |
| SPRING (Ref # 92145)              | 92145-3723  | 2        |
| TUBE,22X24X200 (Ref # 92191)      | 92191-3792  | 1        |
| WASHER (Ref # 92200)              | 92200-3738  | 2        |
| WASHER,21X34X2 (Ref # 92200A)     | 92200-3802  | 1        |