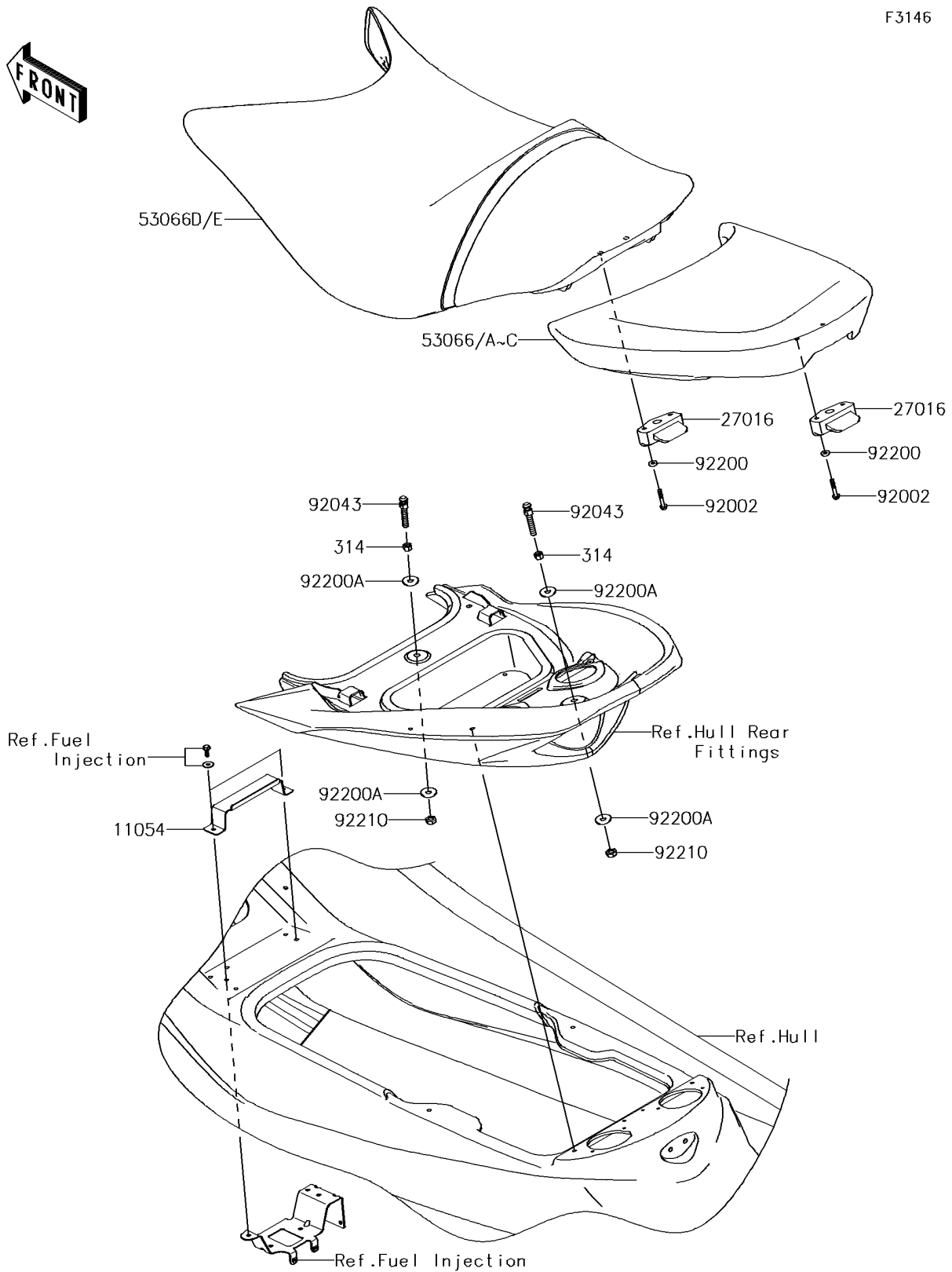


# 2016 JET SKI® ULTRA® 310X SE

## PARTS DIAGRAM

### Seat

F3146



# 2016 JET SKI® ULTRA® 310X SE

## PARTS LIST

Seat



**ITEM NAME**

**PART NUMBER**

**QUANTITY**

---