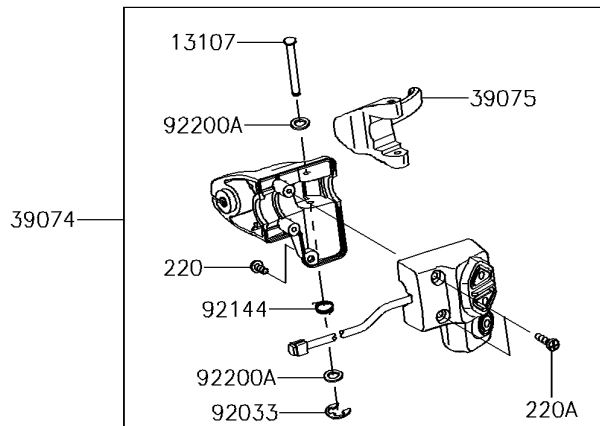
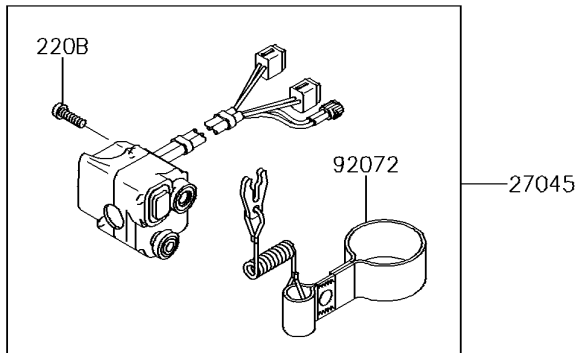
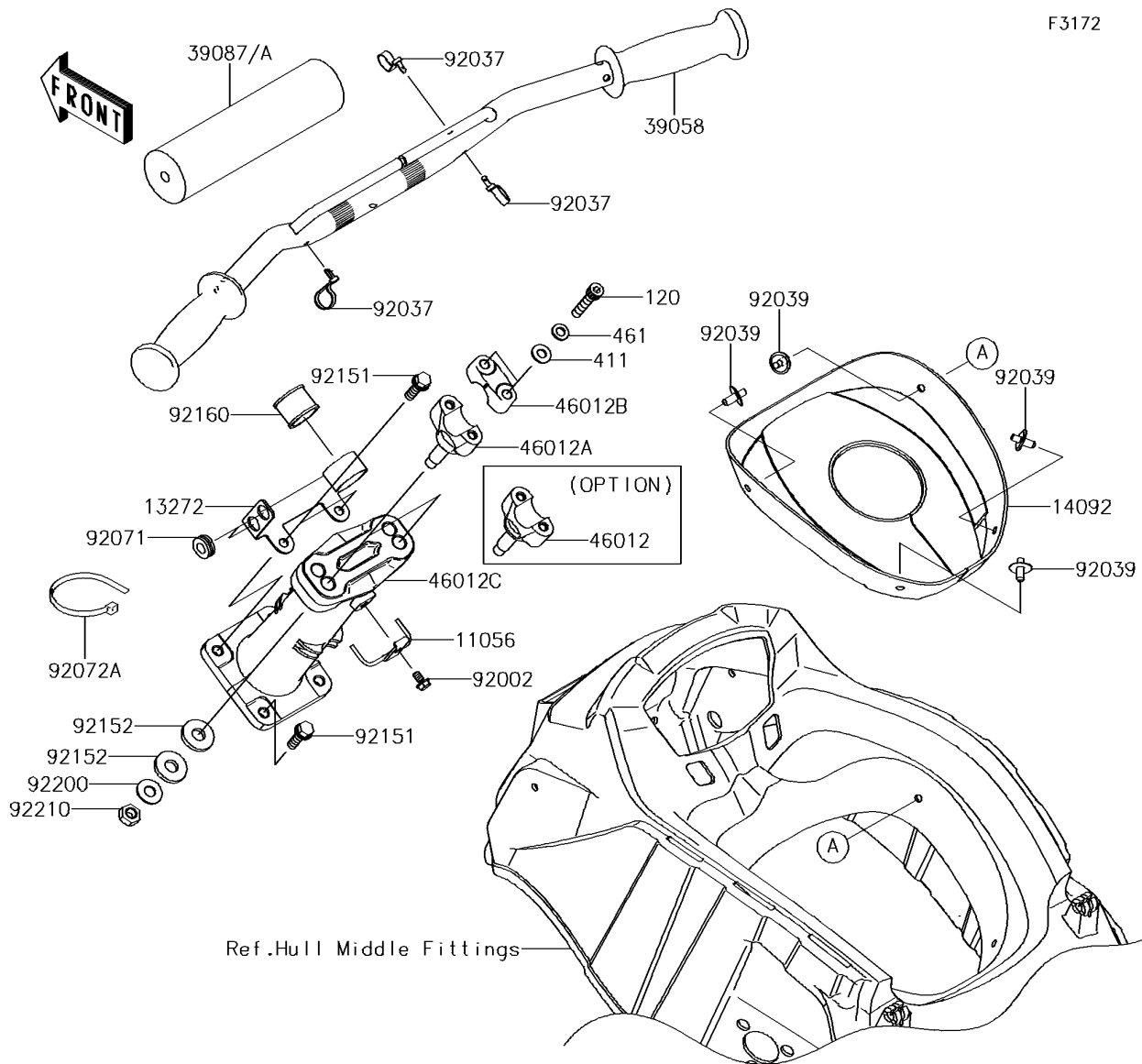


# 2014 JET SKI® ULTRA® 310R

## PARTS DIAGRAM

### Handlebar



# 2014 JET SKI® ULTRA® 310R

## PARTS LIST

### Handlebar

**ITEM NAME**

**PART NUMBER**

**QUANTITY**

---