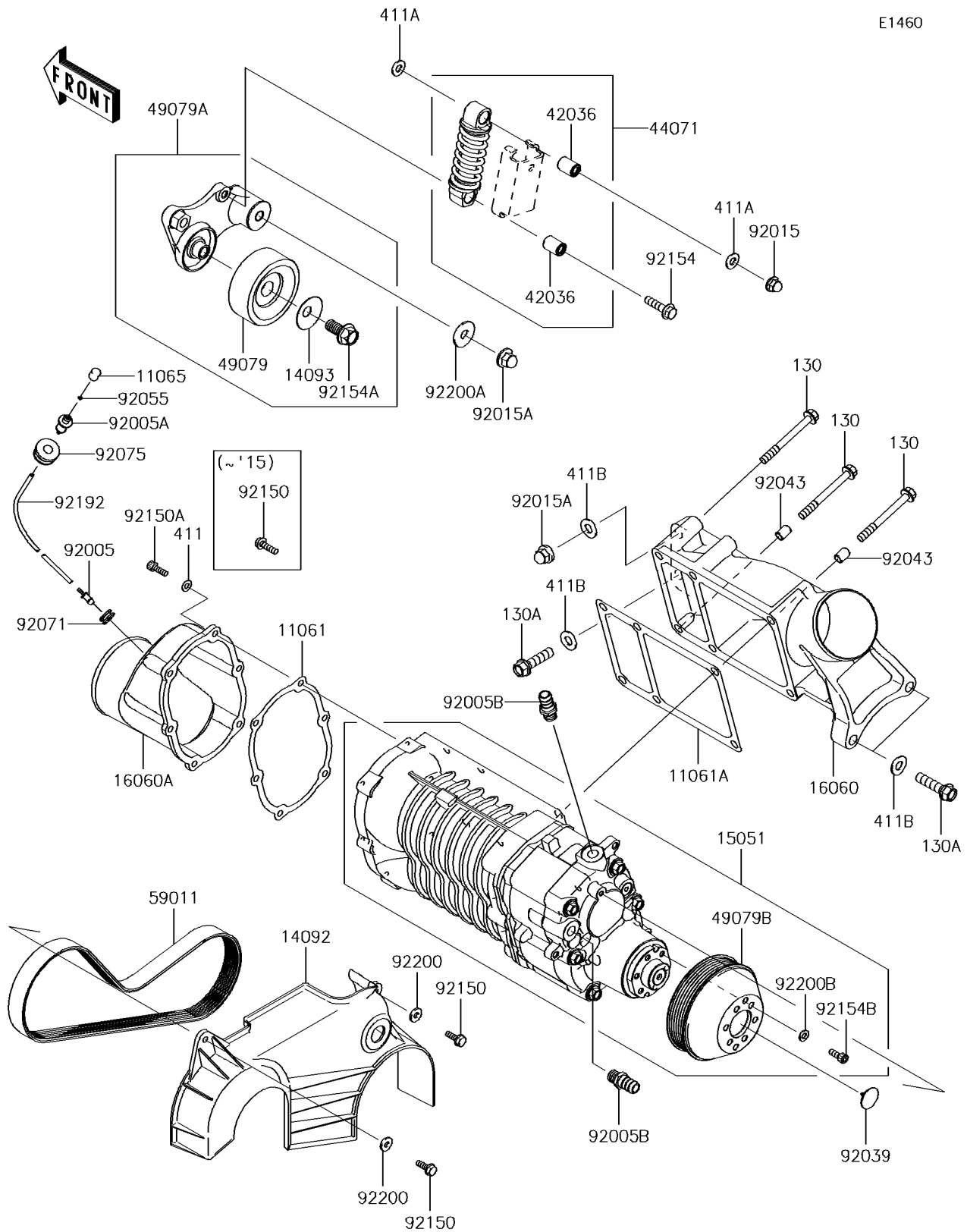


# 2016 JET SKI® ULTRA® 310R

## PARTS DIAGRAM

### Super Charger



# 2016 JET SKI® ULTRA® 310R

## PARTS LIST

Super Charger

**ITEM NAME**

**PART NUMBER**

**QUANTITY**

---