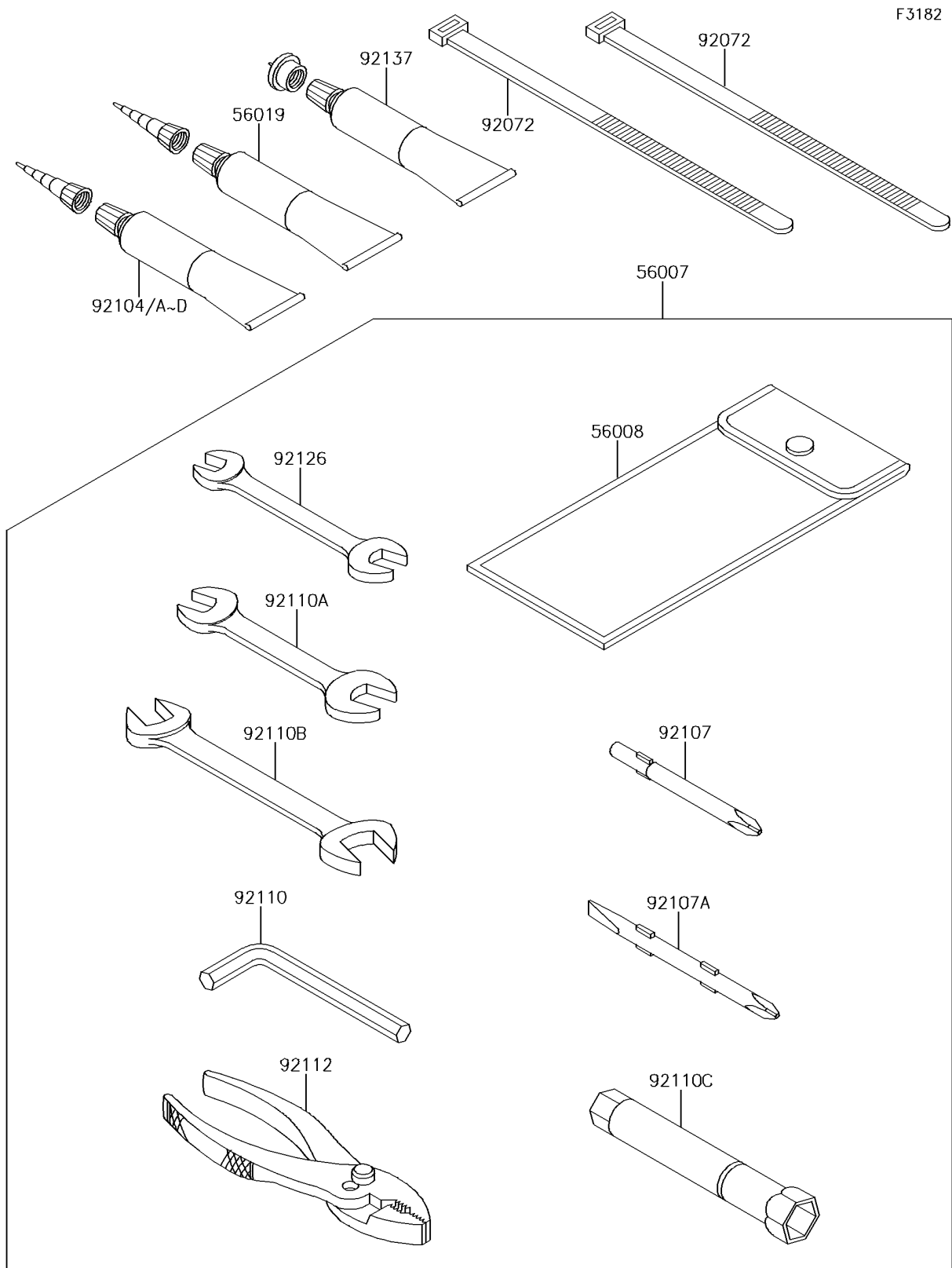


2017 JET SKI® ULTRA® 310X

PARTS DIAGRAM

Owner's Tools



2017 JET SKI® ULTRA® 310X

PARTS LIST

Owner's Tools



ITEM NAME

PART NUMBER

QUANTITY
