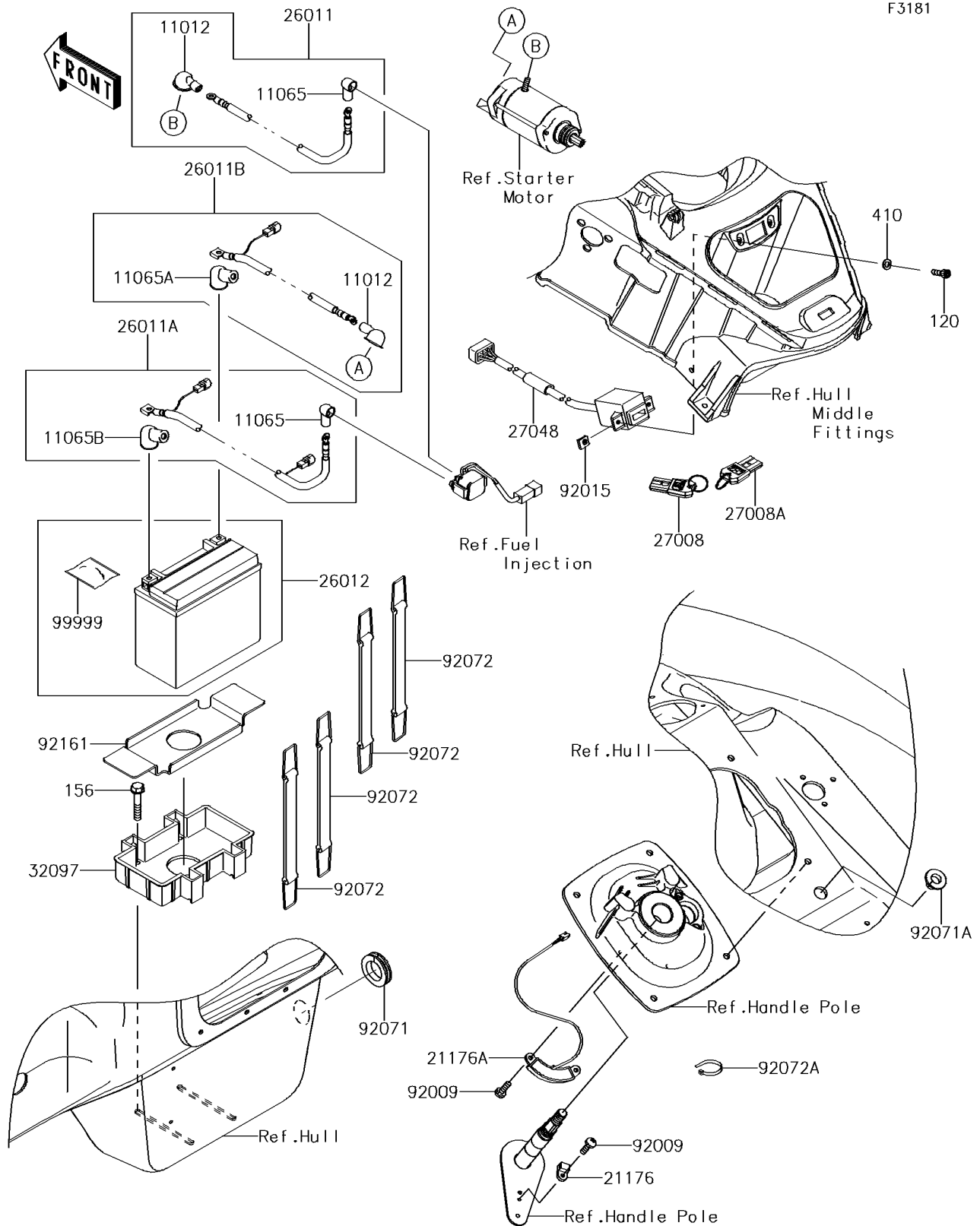


# 2017 JET SKI® ULTRA® 310X

## PARTS DIAGRAM Electrical Equipment



# 2017 JET SKI® ULTRA® 310X

## PARTS LIST

### Electrical Equipment



**ITEM NAME**

**PART NUMBER**

**QUANTITY**

---