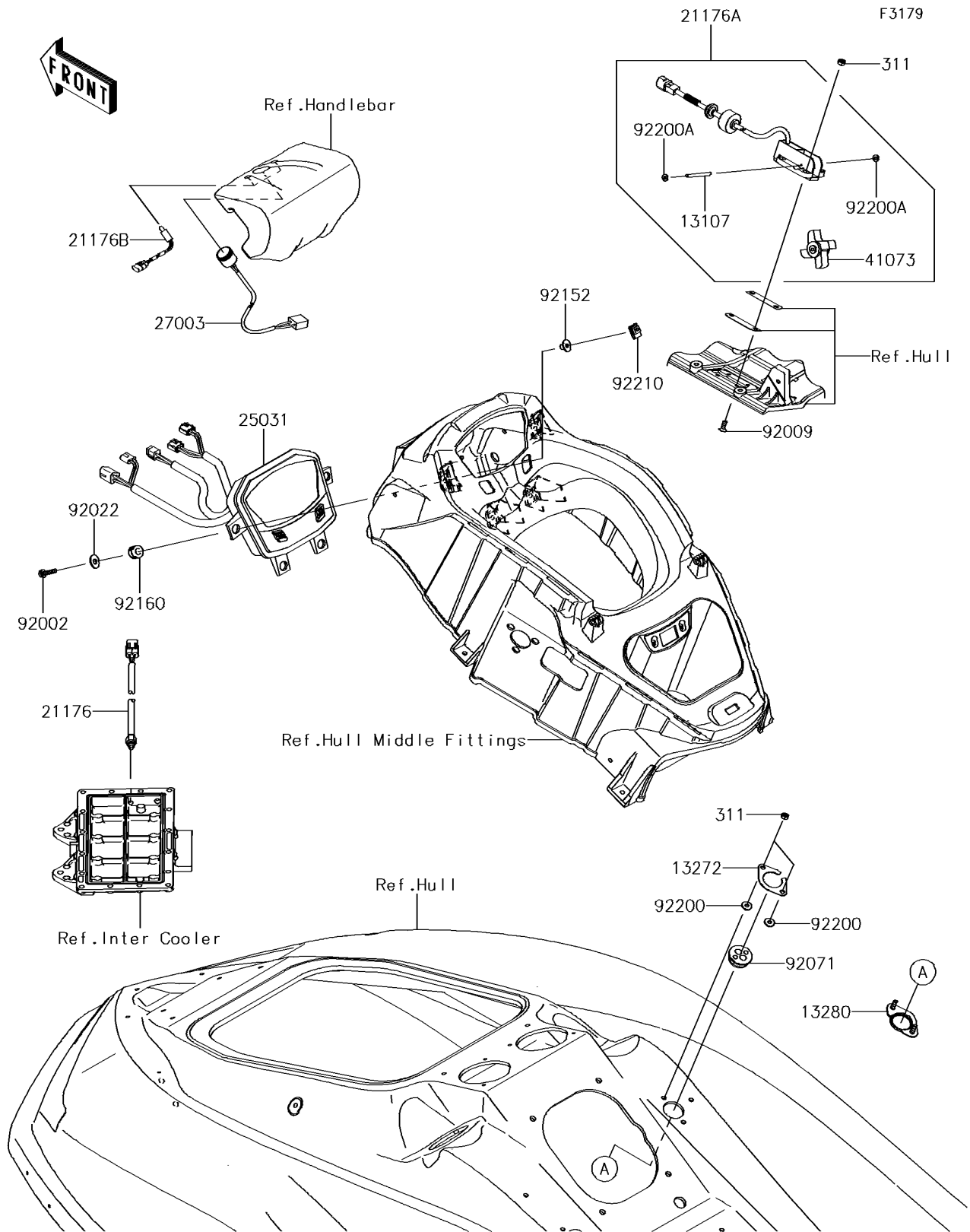


2017 JET SKI® ULTRA® 310X

PARTS DIAGRAM

Meters



2017 JET SKI® ULTRA® 310X

PARTS LIST

Meters



ITEM NAME

PART NUMBER

QUANTITY
