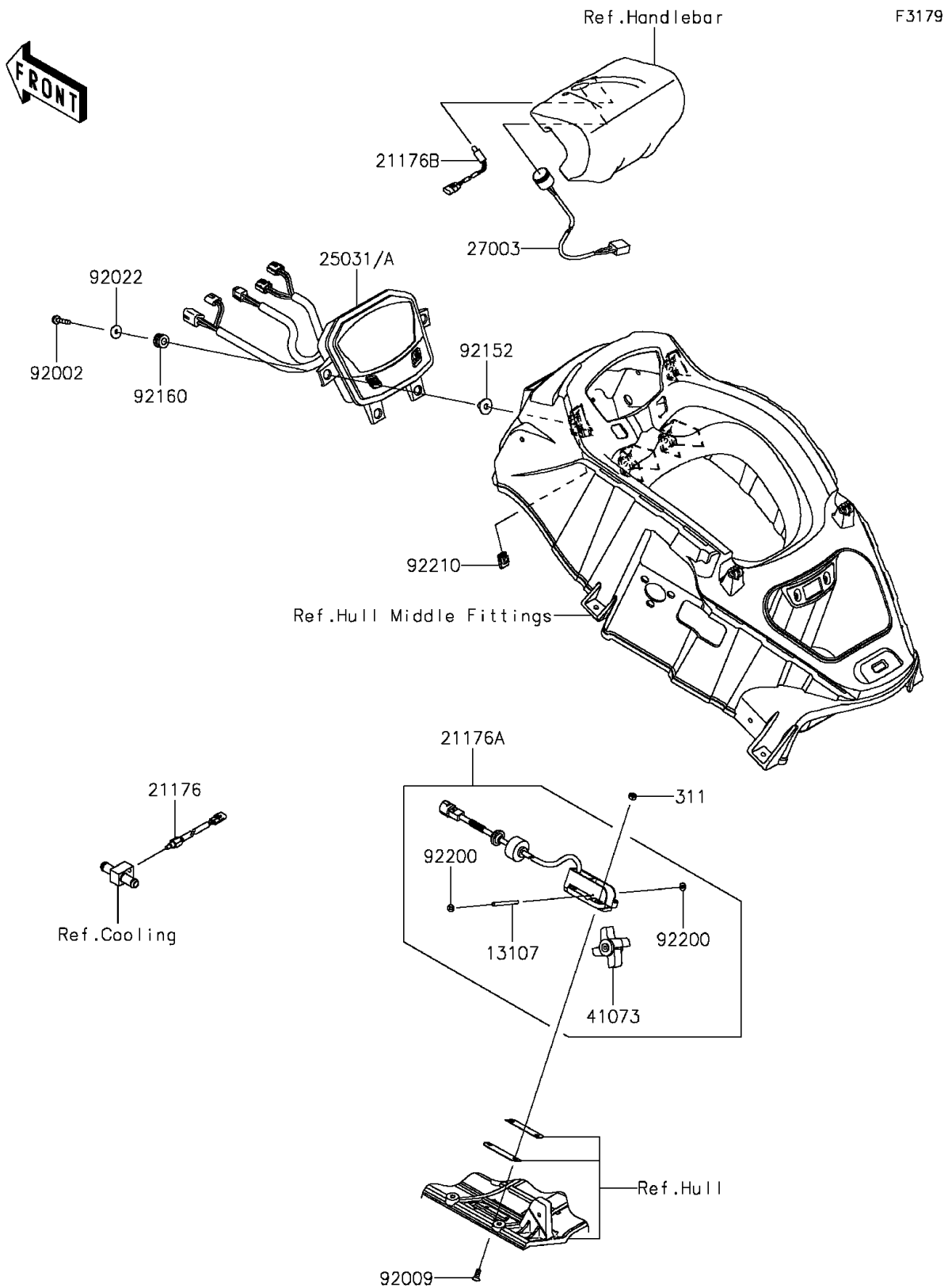


# 2016 JET SKI® ULTRA® LX

## PARTS DIAGRAM

Meters



# 2016 JET SKI® ULTRA® LX

## PARTS LIST

Meters

**Kawasaki**  
Let the Good Times Roll®

**ITEM NAME**

**PART NUMBER**

**QUANTITY**

---