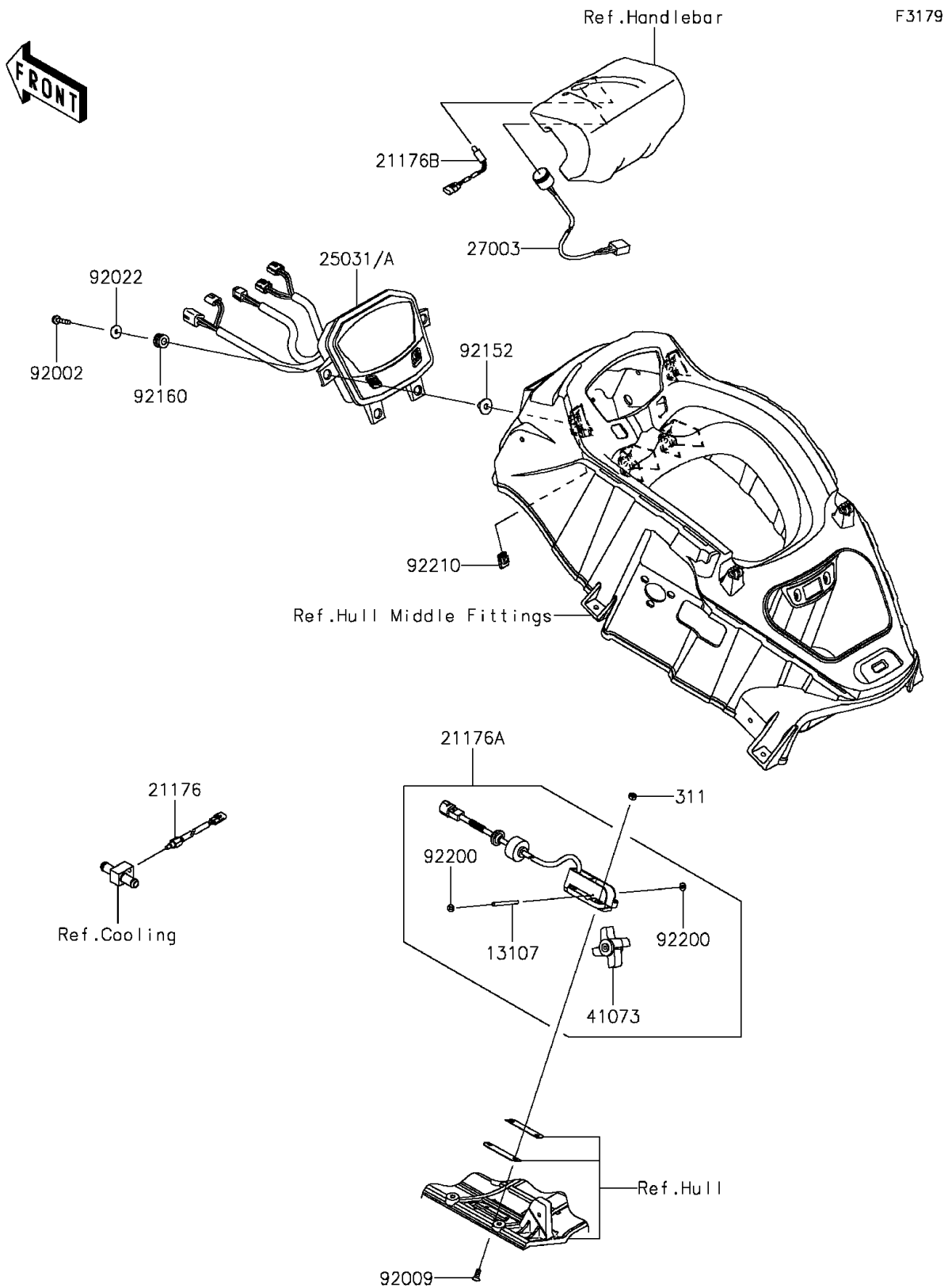


# 2015 JET SKI® ULTRA® LX

## PARTS DIAGRAM

Meters



# 2015 JET SKI® ULTRA® LX

## PARTS LIST

Meters



**ITEM NAME**

**PART NUMBER**

**QUANTITY**

---