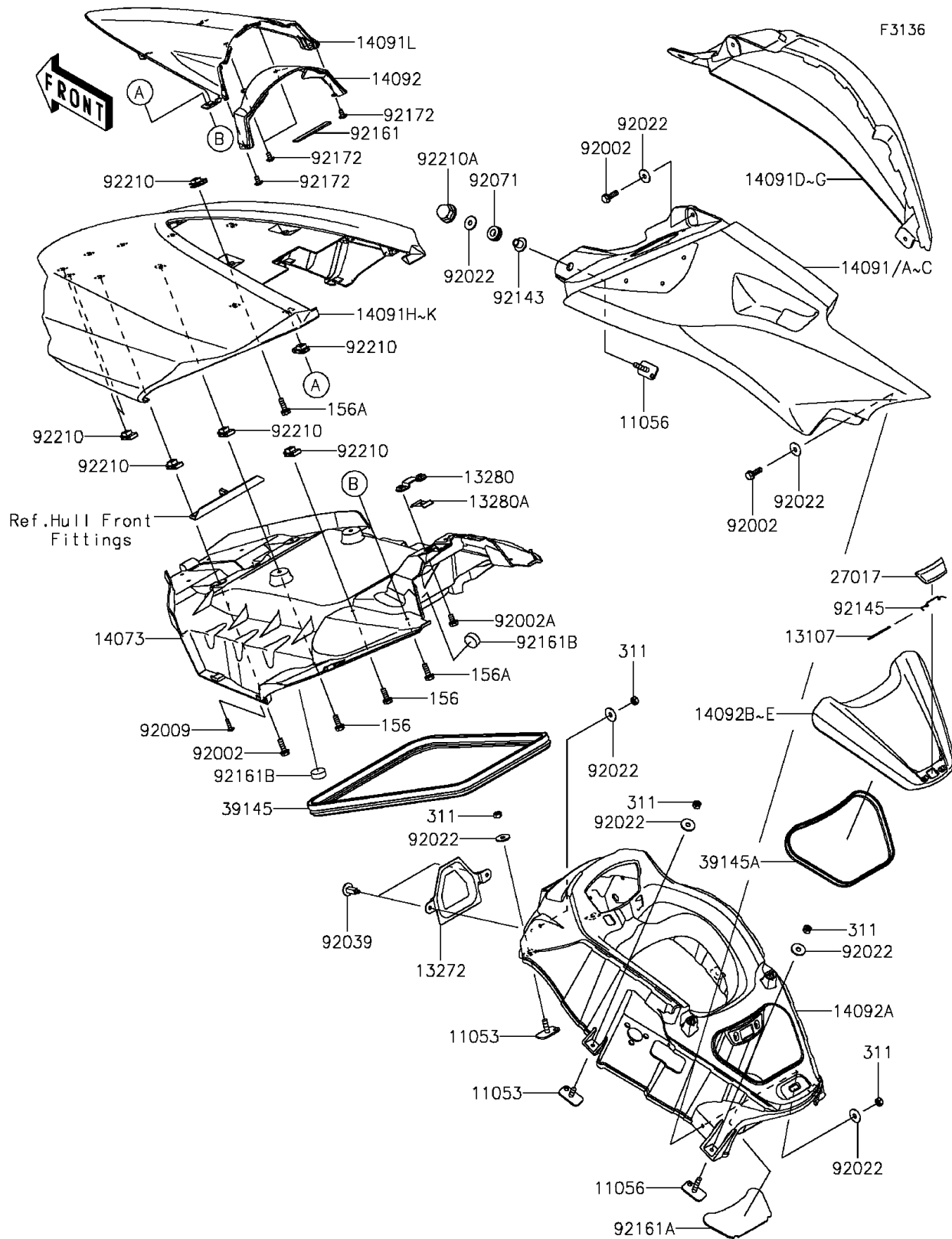


# 2015 JET SKI® ULTRA® LX

## PARTS DIAGRAM

### Hull Middle Fittings



# 2015 JET SKI® ULTRA® LX

## PARTS LIST

### Hull Middle Fittings

**ITEM NAME**

**PART NUMBER**

**QUANTITY**

---