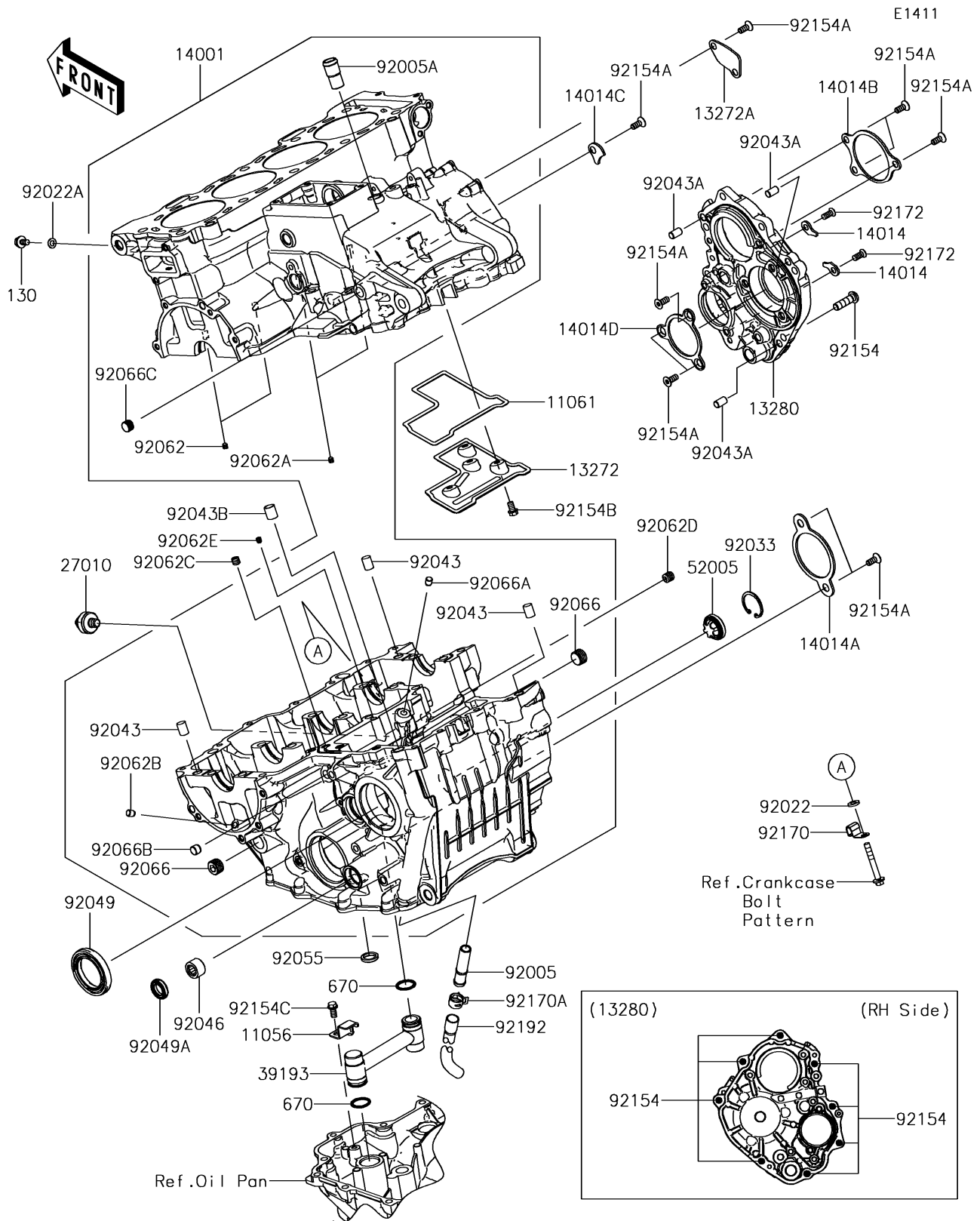


2018 NINJA® ZX™-10R ABS

PARTS DIAGRAM

Crankcase



2018 NINJA® ZX™-10R ABS

PARTS LIST

Crankcase

ITEM NAME	PART NUMBER	QUANTITY
-----------	-------------	----------
