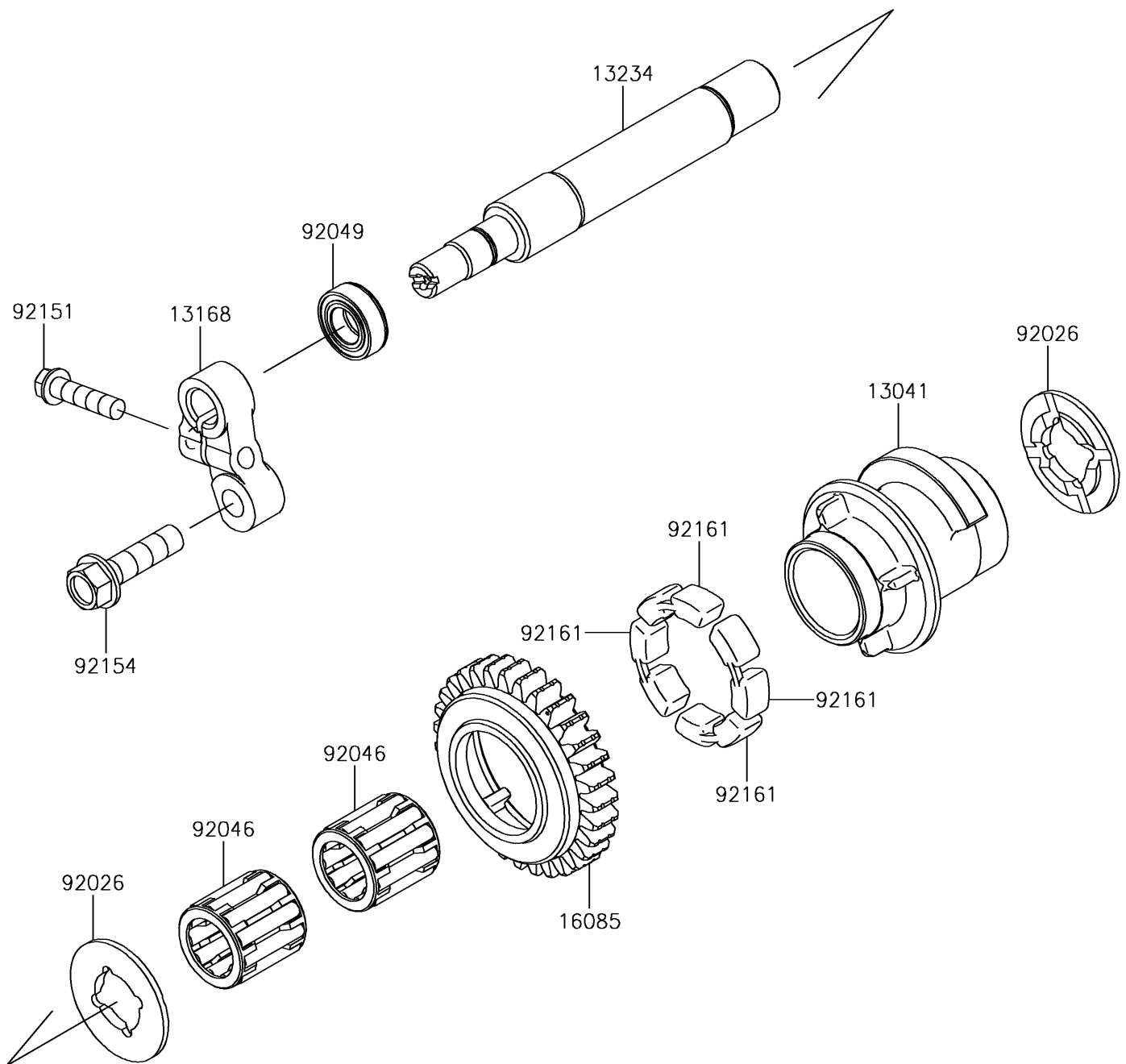


# 2018 NINJA® ZX™-10R ABS

## PARTS DIAGRAM

### Balancer

E1323



# 2018 NINJA® ZX™-10R ABS

## PARTS LIST

### Balancer

ITEM NAME	PART NUMBER	QUANTITY
-----------	-------------	----------

---