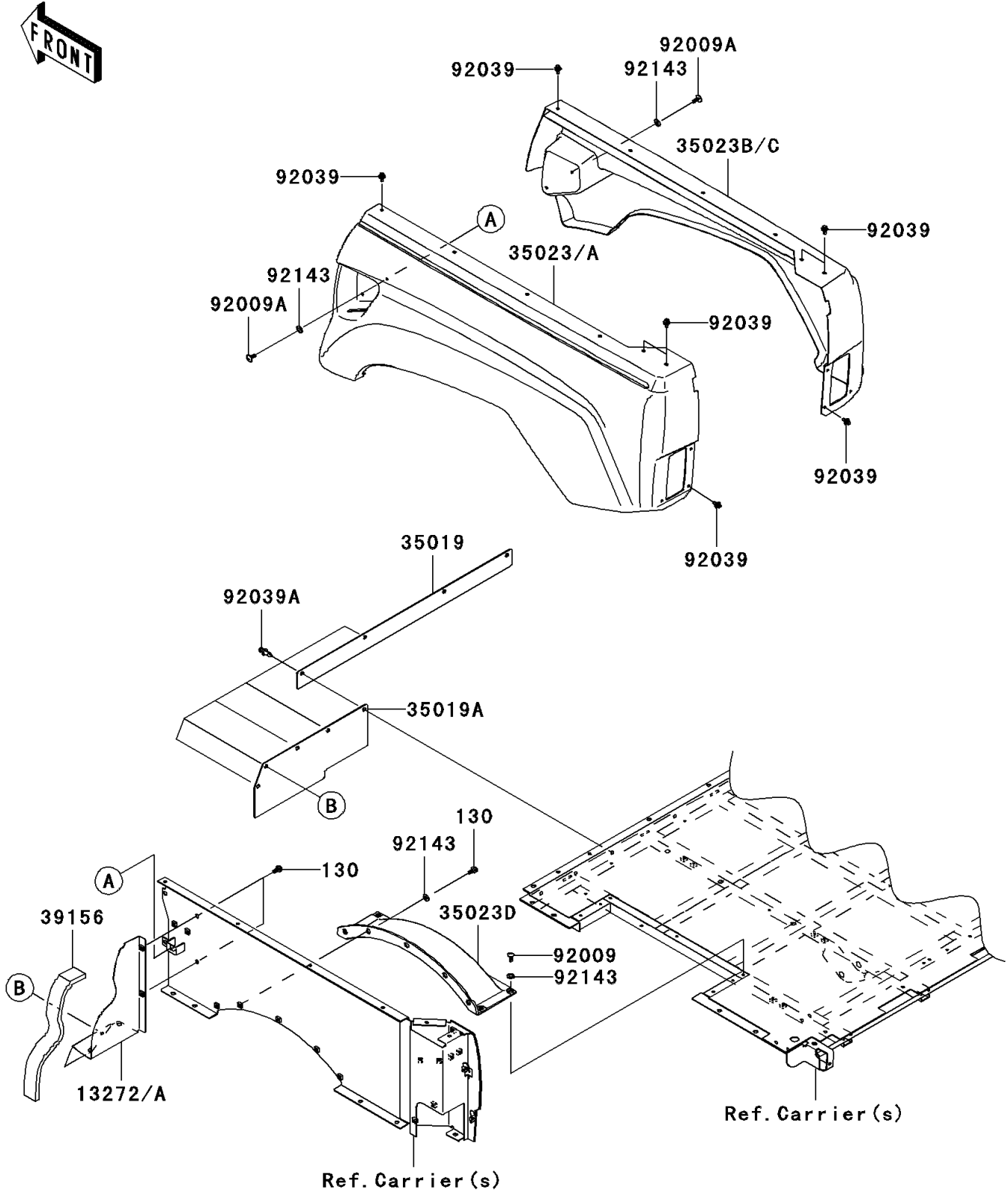


2009 Teryx 750 FI 4X4 LE Sport Monster Energy

PARTS DIAGRAM

Rear Fender(s)

F2172



2009 Teryx 750 FI 4X4 LE Sport Monster Energy



PARTS LIST

Rear Fender(s)

ITEM NAME	PART NUMBER	QUANTITY
-----------	-------------	----------
