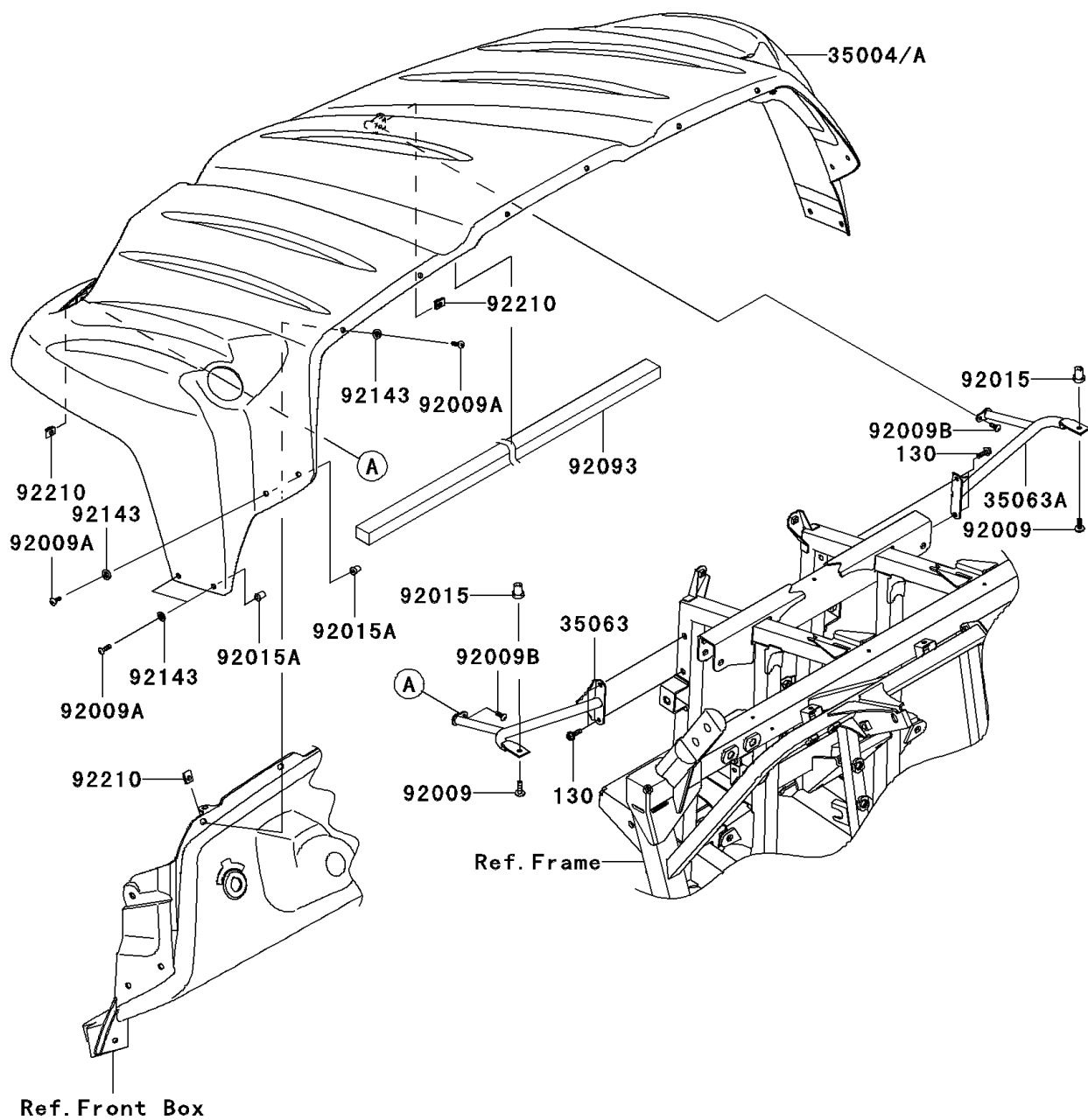


2009 Teryx 750 FI 4X4 LE Sport Monster Energy

PARTS DIAGRAM

Front Fender(s)

F2171



2009 Teryx 750 FI 4X4 LE Sport Monster Energy



PARTS LIST

Front Fender(s)

ITEM NAME	PART NUMBER	QUANTITY
-----------	-------------	----------
