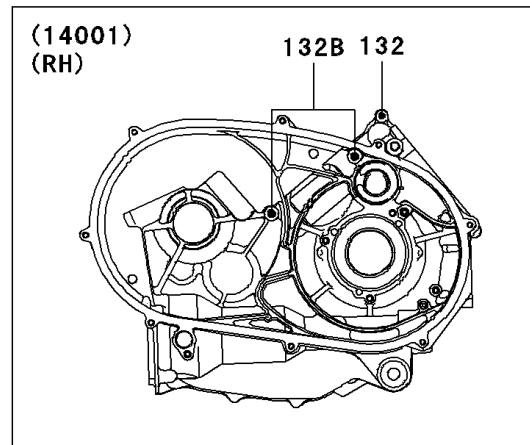
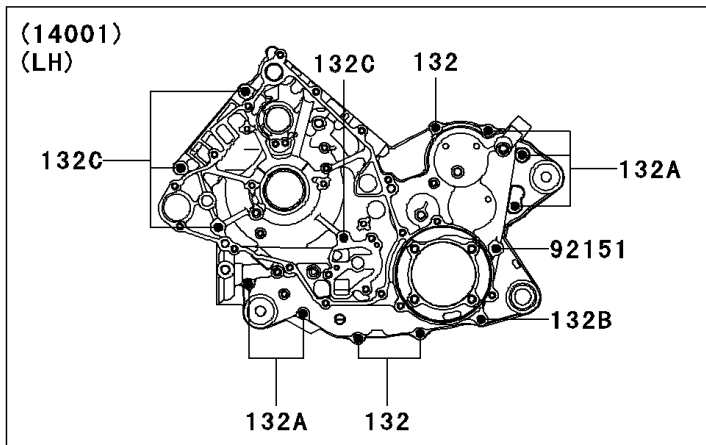
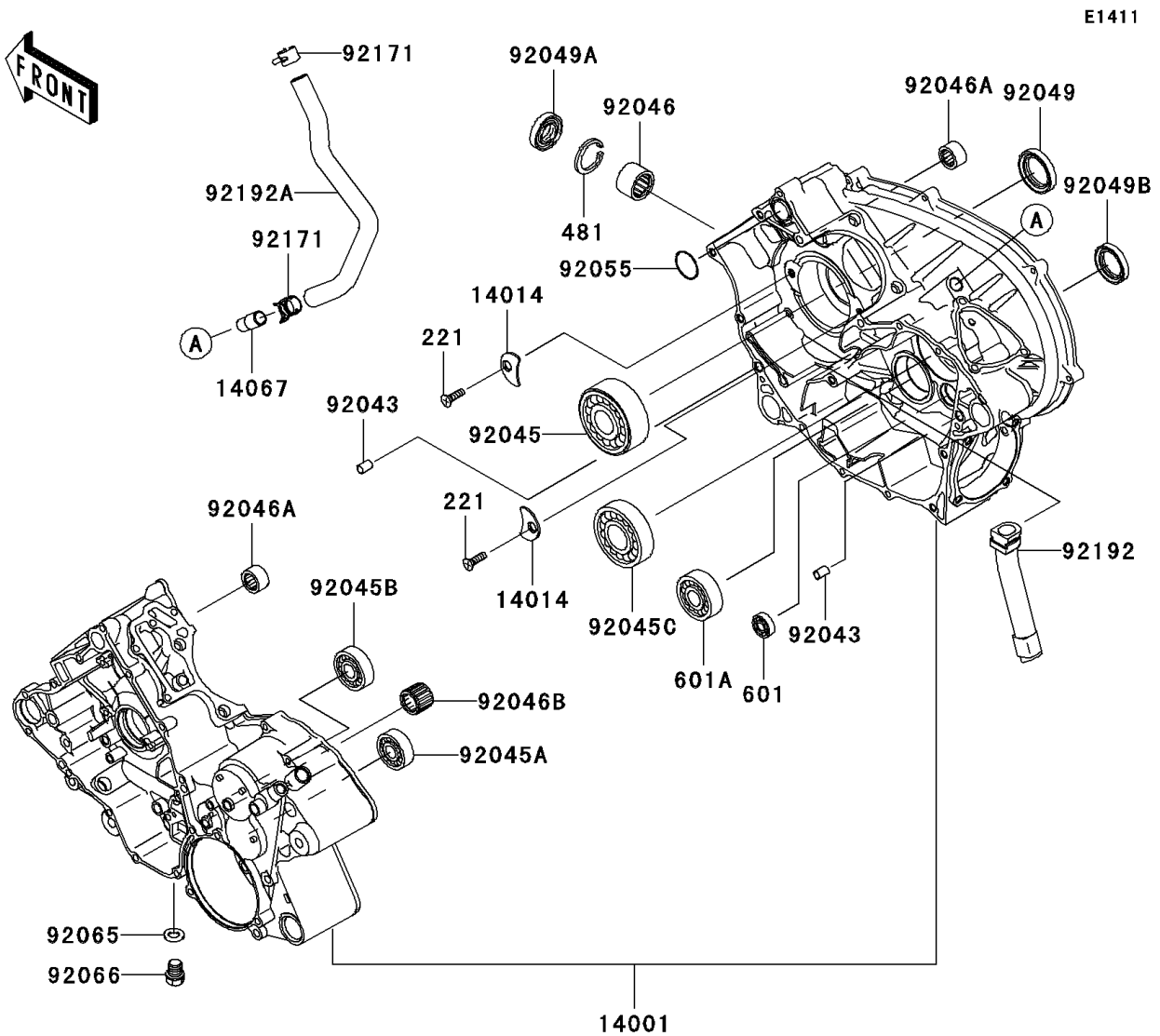


2009 Teryx 750 FI 4X4 LE Sport Monster Energy

PARTS DIAGRAM

Crankcase



2009 Teryx 750 FI 4X4 LE Sport Monster Energy



PARTS LIST

Crankcase

ITEM NAME	PART NUMBER	QUANTITY
-----------	-------------	----------
