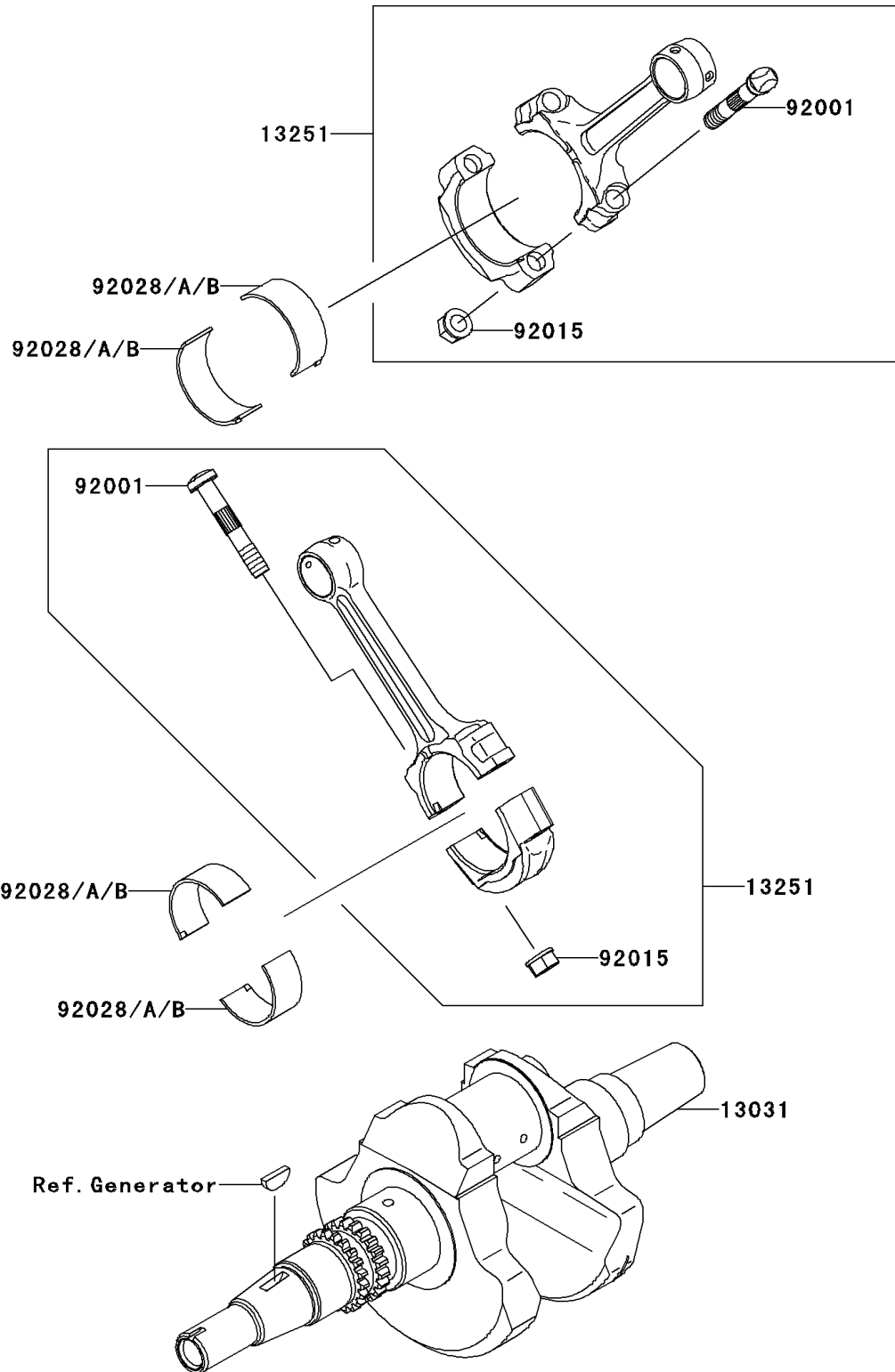


# 2009 Teryx 750 FI 4X4 LE Sport Monster Energy

## PARTS DIAGRAM

### Crankshaft

E1321



# 2009 Teryx 750 FI 4X4 LE Sport Monster Energy



## PARTS LIST

### Crankshaft

ITEM NAME	PART NUMBER	QUANTITY
-----------	-------------	----------

---