

2009 Ninja[®] ZX[™]-14

PARTS DIAGRAM

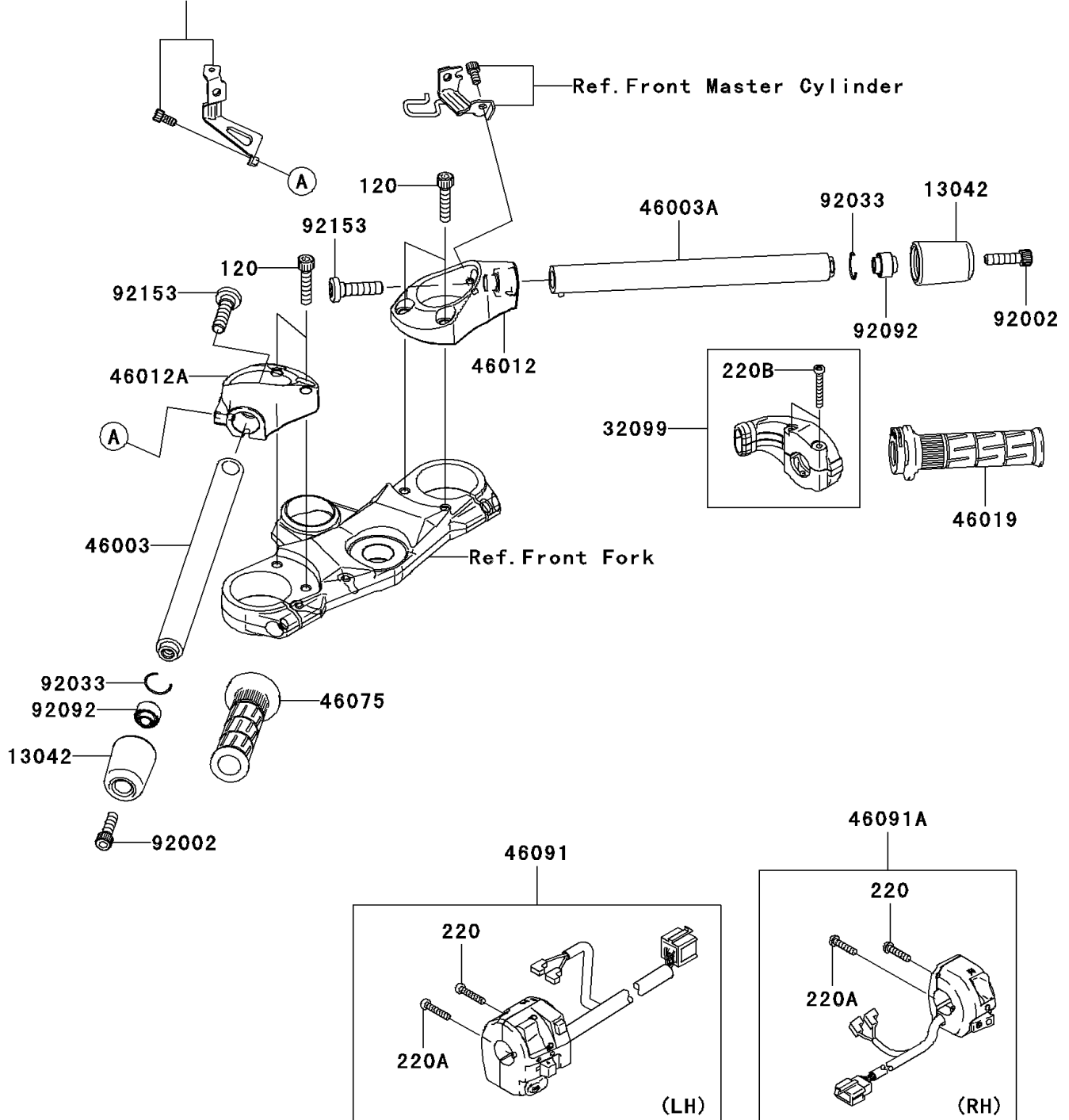
Handlebar

F2310



Ref. Clutch Master Cylinder

Ref. Front Master Cylinder



2009 Ninja[®] ZX[™]-14

PARTS LIST

Handlebar

ITEM NAME

PART NUMBER

QUANTITY
