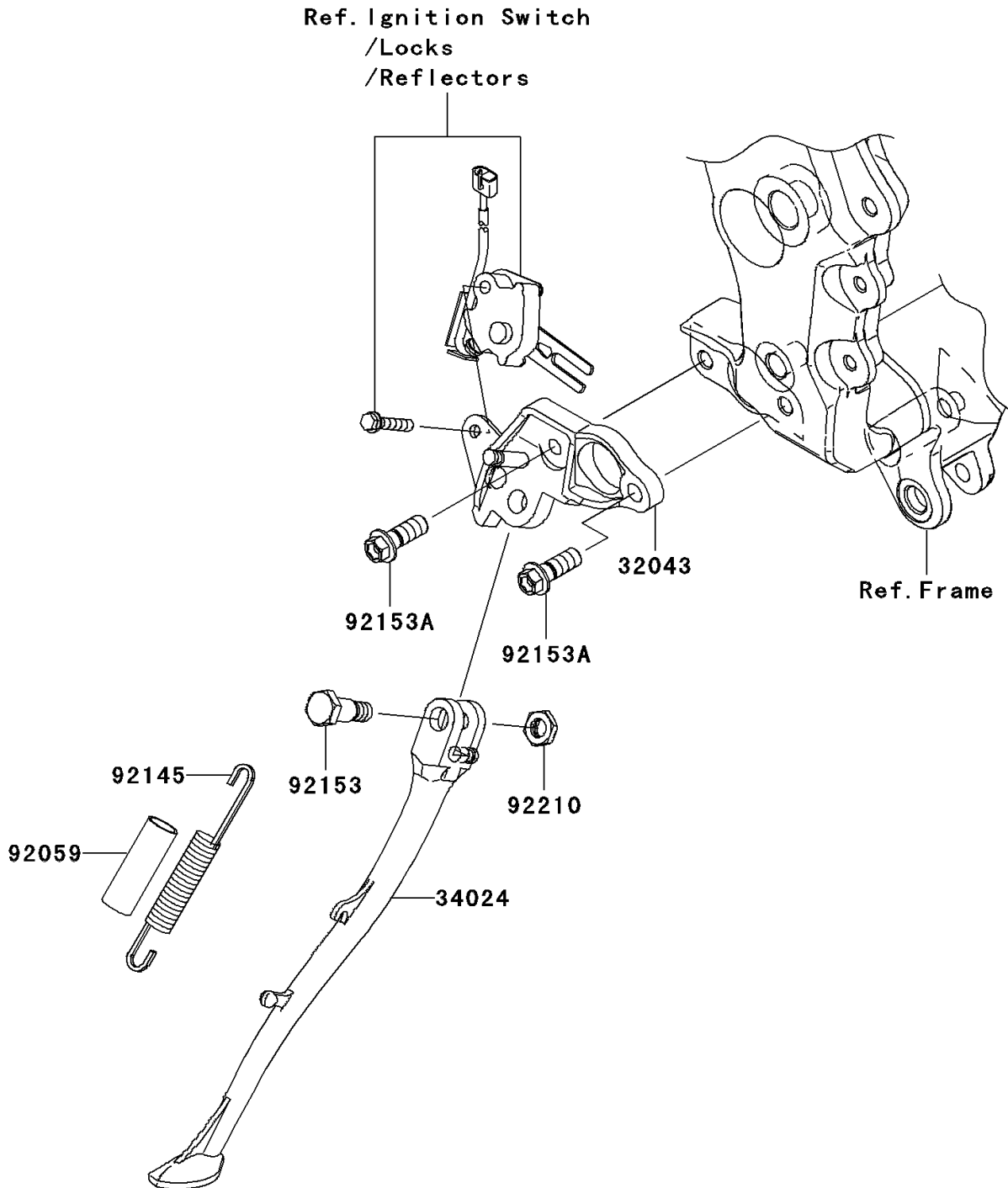


# 2009 Ninja<sup>®</sup> ZX<sup>™</sup>-14

## PARTS DIAGRAM

Stand(s)

F2190



# 2009 Ninja® ZX™ -14

## PARTS LIST

Stand(s)

**ITEM NAME**

**PART NUMBER**

**QUANTITY**

---