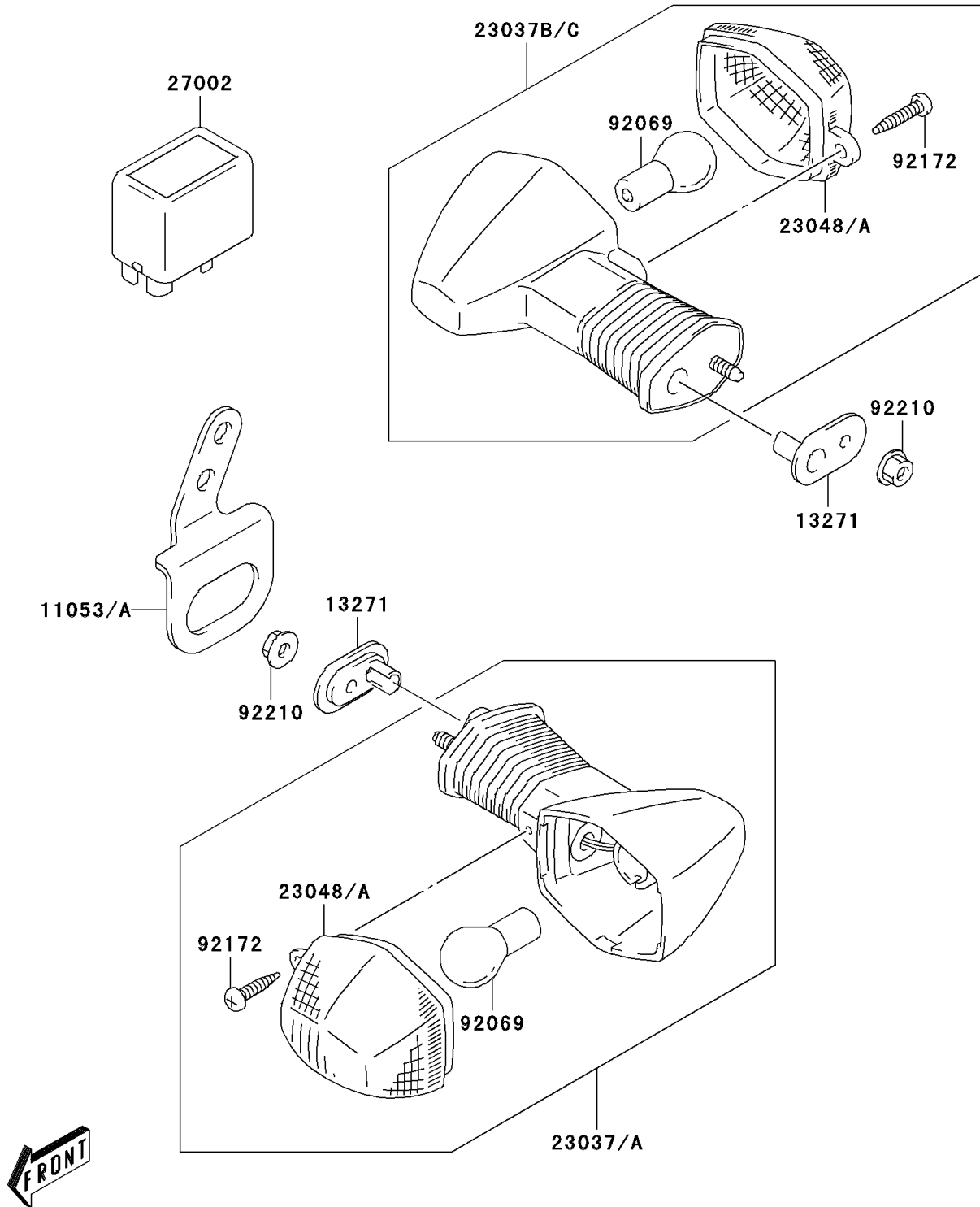


# 2003 KLX400SR

## PARTS DIAGRAM

### Turn Signals

F2730



# 2003 KLX400SR

## PARTS LIST

### Turn Signals

| ITEM NAME                             | PART NUMBER | QUANTITY |
|---------------------------------------|-------------|----------|
| BRACKET,TURNSIGNAL,RH (Ref # 11053)   | 11053-S031  | 1        |
| BRACKET,TURNSIGNAL,LH (Ref # 11053A)  | 11053-S032  | 1        |
| PLATE,TURNSIGNAL (Ref # 13271)        | 13271-S057  | 4        |
| LAMP-ASSY-SIGNAL,FR,RH (Ref # 23037)  | 23037-S003  | 1        |
| LAMP-ASSY-SIGNAL,FR,LH (Ref # 23037A) | 23037-S004  | 1        |
| LAMP-ASSY-SIGNAL,RR,RH (Ref # 23037B) | 23037-S005  | 1        |
| LAMP-ASSY-SIGNAL,RR,LH (Ref # 23037C) | 23037-S006  | 1        |
| LENS-SIGNAL LAMP,LH (Ref # 23048)     | 23048-S004  | 2        |
| LENS-SIGNAL LAMP,RH (Ref # 23048A)    | 23048-S005  | 2        |
| RELAY-ASSY (Ref # 27002)              | 27002-S003  | 1        |
| BULB,12V,21W (Ref # 92069)            | 92069-S001  | 4        |
| SCREW (Ref # 92172)                   | 92172-S026  | 4        |
| NUT (Ref # 92210)                     | 92210-S067  | 4        |