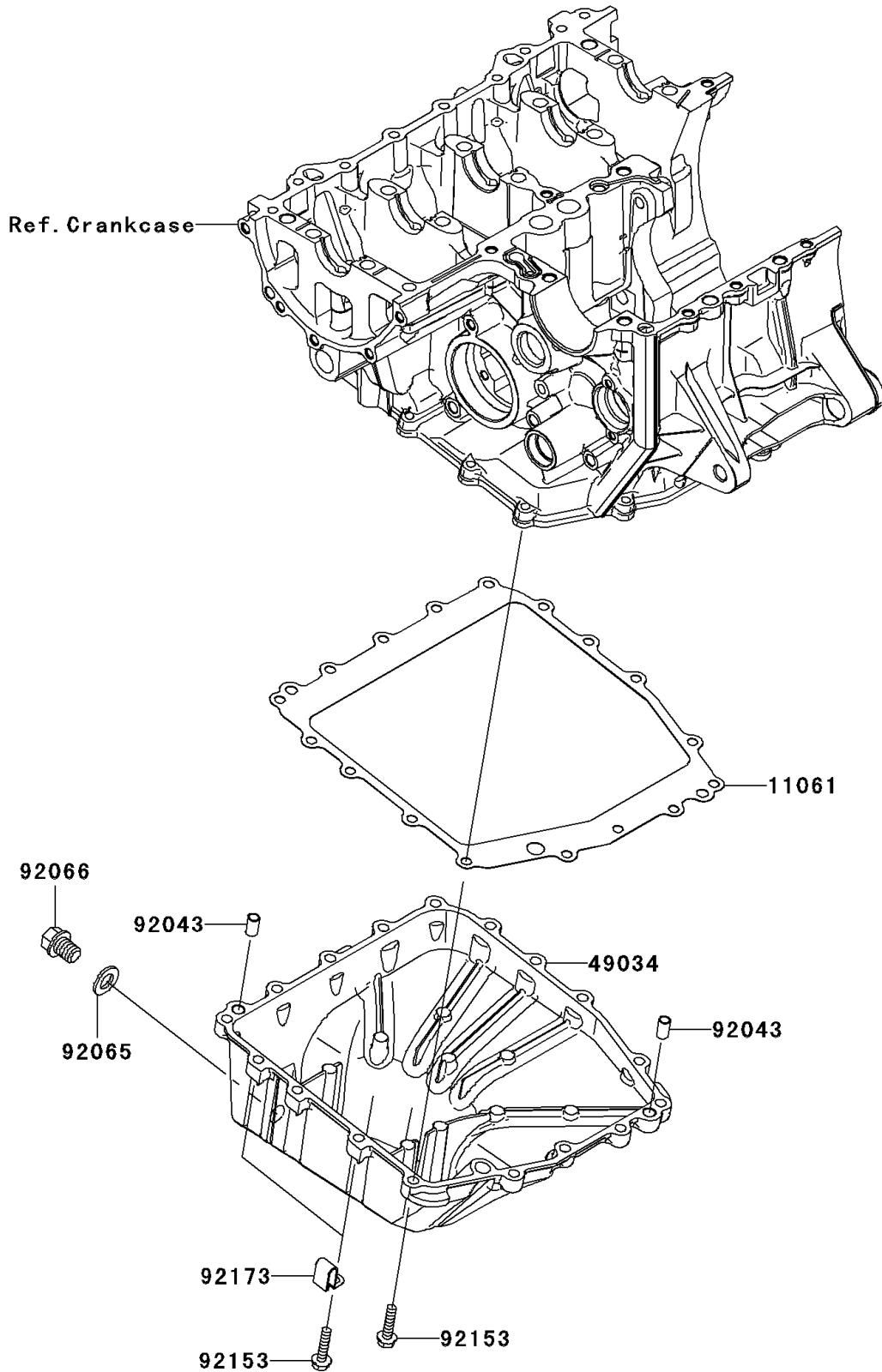


2011 NINJA® ZX™-6R

PARTS DIAGRAM

Oil Pan

E1434



2011 NINJA® ZX™-6R

PARTS LIST

Oil Pan

ITEM NAME

PART NUMBER

QUANTITY
