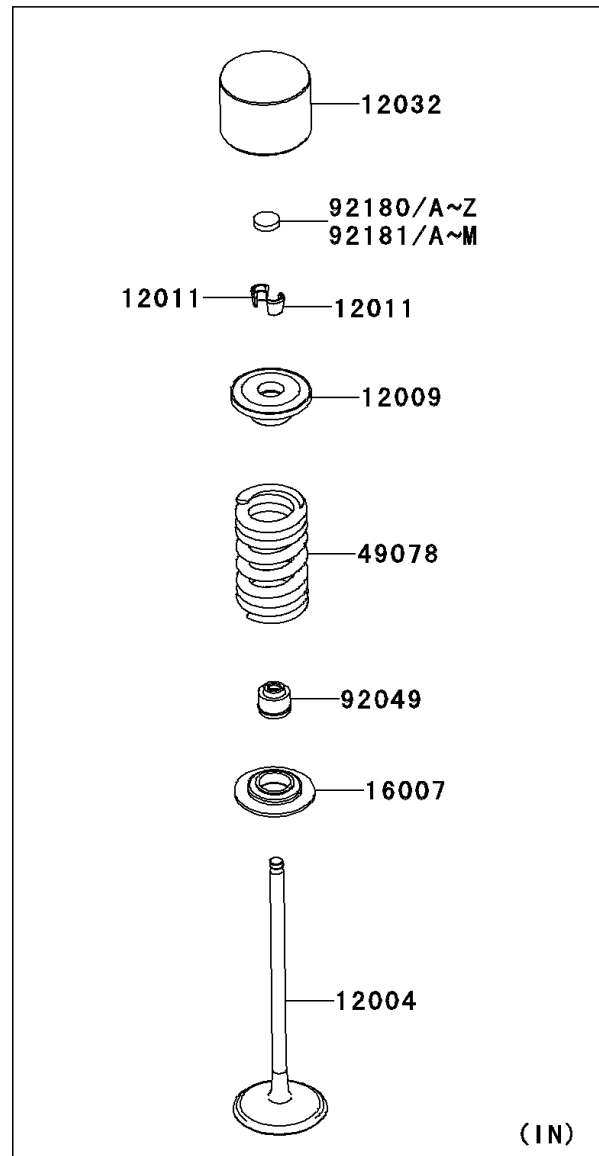
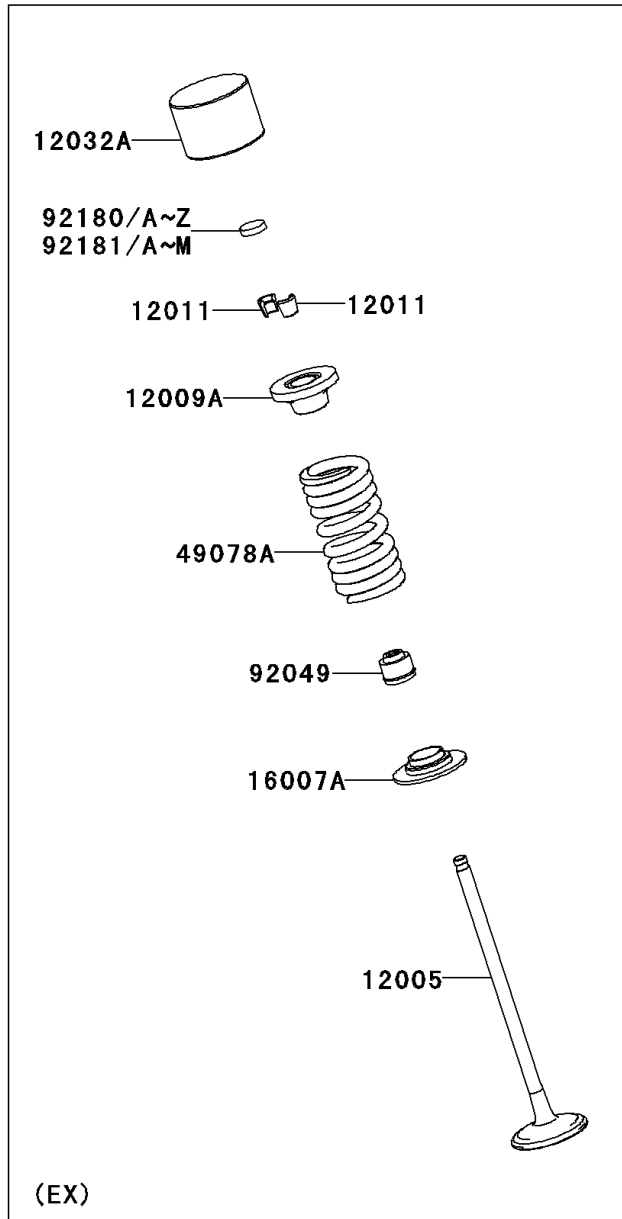


2011 NINJA® ZX™-6R

PARTS DIAGRAM

Valve(s)

E1210



2011 NINJA® ZX™-6R

PARTS LIST

Valve(s)

ITEM NAME

PART NUMBER

QUANTITY
