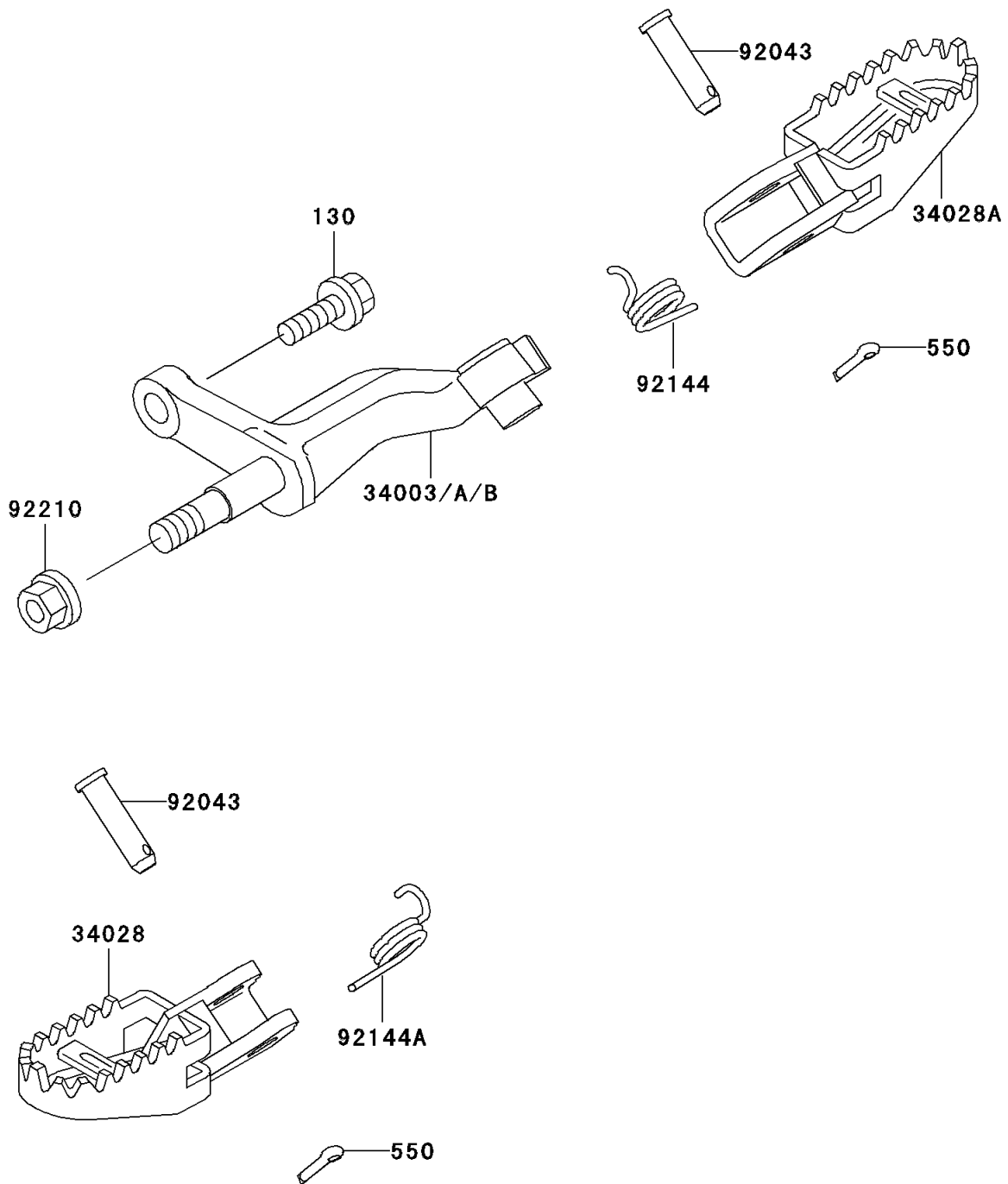


# 2001 KLX300R

## PARTS DIAGRAM

### Footrests

F2160



# 2001 KLX300R

## PARTS LIST

### Footrests



| ITEM NAME | PART NUMBER | QUANTITY |
|-----------|-------------|----------|
|-----------|-------------|----------|

---