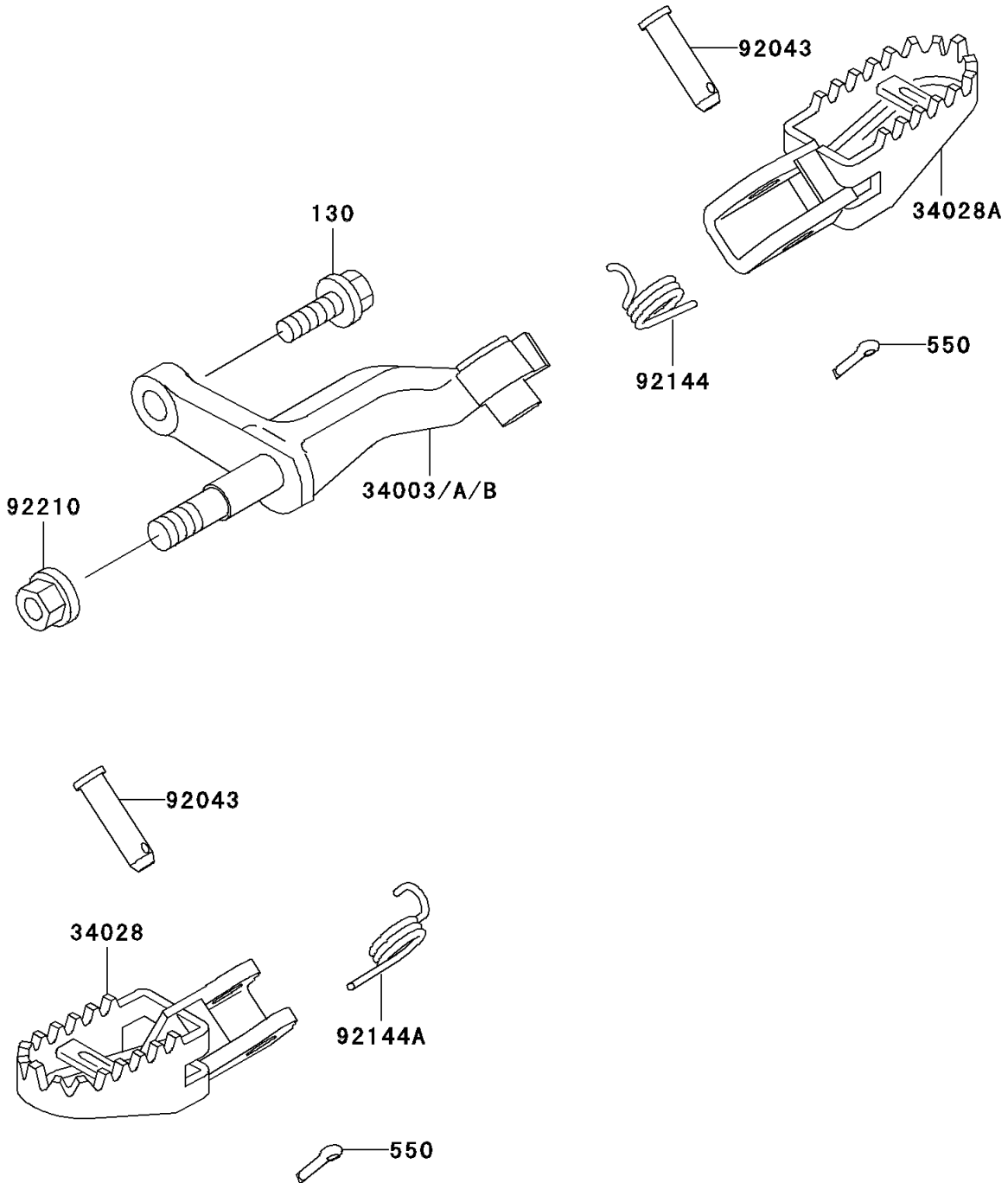


# 1999 KLX300R

## PARTS DIAGRAM

### Footrests

F2160



# 1999 KLX300R

## PARTS LIST

### Footrests

**ITEM NAME**

**PART NUMBER**

**QUANTITY**

---