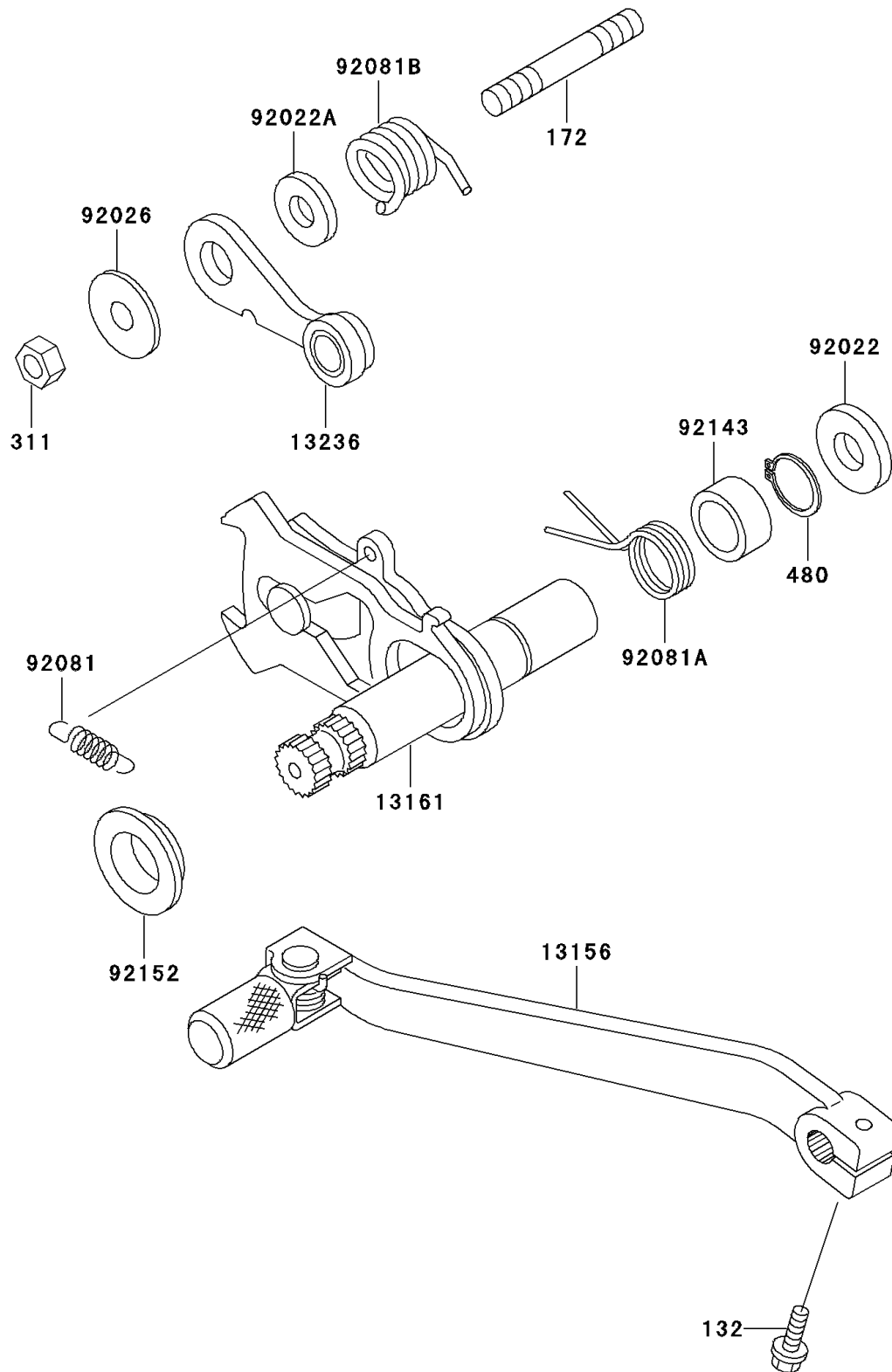


2001 KLX300R

PARTS DIAGRAM

Gear Change Mechanism

E1370



2001 KLX300R

PARTS LIST

Gear Change Mechanism

ITEM NAME

PART NUMBER

QUANTITY
