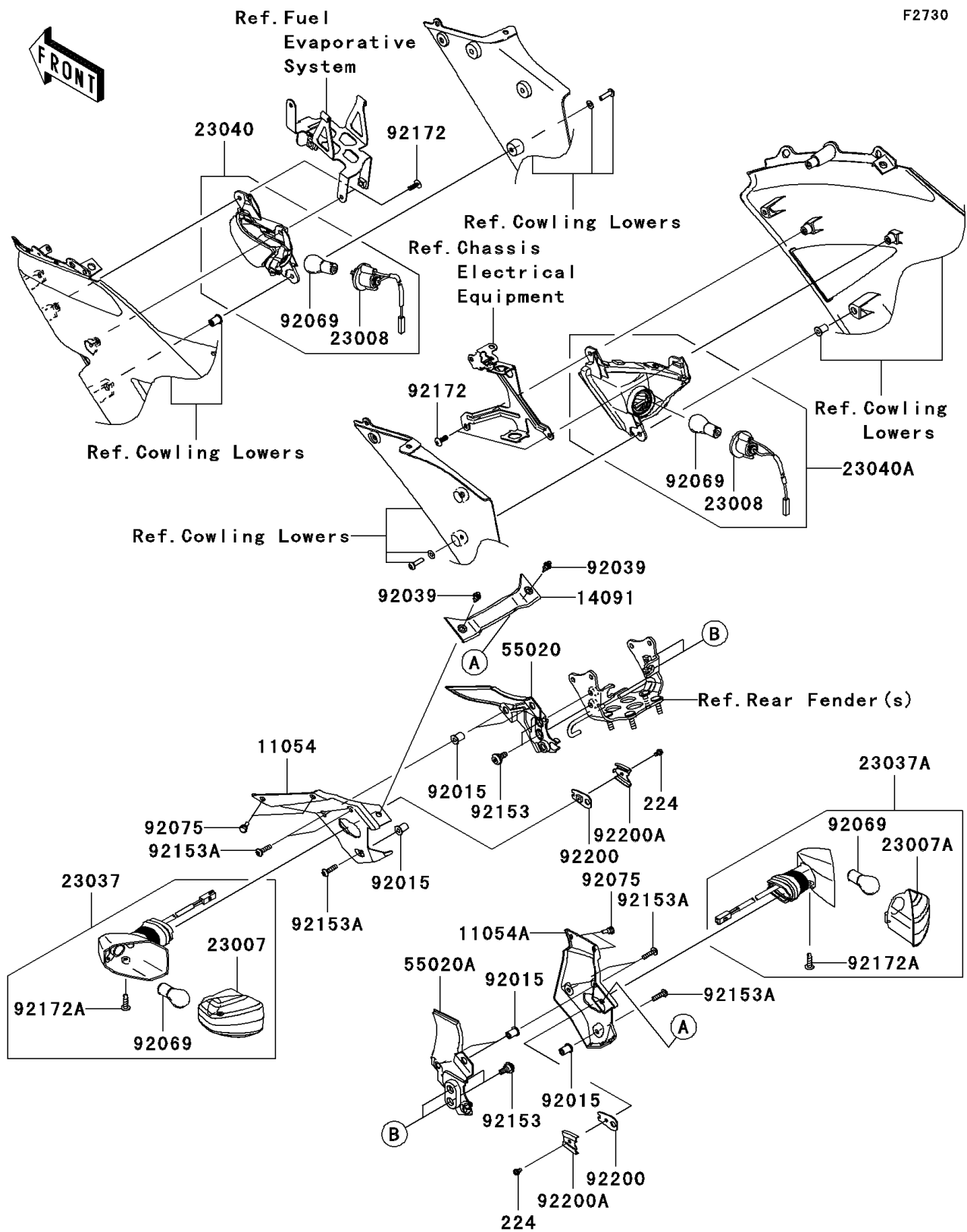


# 2008 Ninja<sup>®</sup> ZX<sup>™</sup>-6R

## PARTS DIAGRAM

### Turn Signals



# 2008 Ninja® ZX™-6R

## PARTS LIST

### Turn Signals

ITEM NAME	PART NUMBER	QUANTITY
SCREW-PAN-WP-CROS,4X8 (Ref # 224)	224AB0408	2
BRACKET,REAR SIGNAL LAMP,LH (Ref # 11054)	11054-0888	1
BRACKET,REAR SIGNAL LAMP,RH (Ref # 11054A)	11054-0889	1
COVER,REAR SIGNAL LAMP (Ref # 14091)	14091-0685	1
LENS-COMP,SIGNAL LAMP,RR,LH (Ref # 23007)	23007-0063	1
LENS-COMP,SIGNAL LAMP,RR,RH (Ref # 23007A)	23007-0064	1
SOCKET-ASSY,SIGNAL LAMP,FR (Ref # 23008)	23008-0044	2
LAMP-ASSY-SIGNAL,RR,LH (Ref # 23037)	23037-0123	1
LAMP-ASSY-SIGNAL,RR,RH (Ref # 23037A)	23037-0124	1
LAMP-SIGNAL,FR,LH (Ref # 23040)	23040-0057	1
LAMP-SIGNAL,FR,RH (Ref # 23040A)	23040-0058	1
GUARD,HARNESS,LH (Ref # 55020)	55020-0293	1
GUARD,HARNESS,RH (Ref # 55020A)	55020-0294	1
NUT,WELL,5MM (Ref # 92015)	92015-1757	6
RIVET (Ref # 92039)	92039-0023	2
BULB,12V 21W (Ref # 92069)	92069-1125	4
DAMPER (Ref # 92075)	92075-1808	4
BOLT,SOCKET,6MM (Ref # 92153)	92153-0489	4
BOLT,SOCKET,5X16 (Ref # 92153A)	92153-1244	6
SCREW,TAPPING,5X16 (Ref # 92172)	92172-0175	4
SCREW,TAPPING 4X12 (Ref # 92172A)	92172-0242	2
WASHER,SIGNAL LAMP (Ref # 92200)	92200-0164	2
WASHER,SIGNAL LAMP (Ref # 92200A)	92200-0165	2