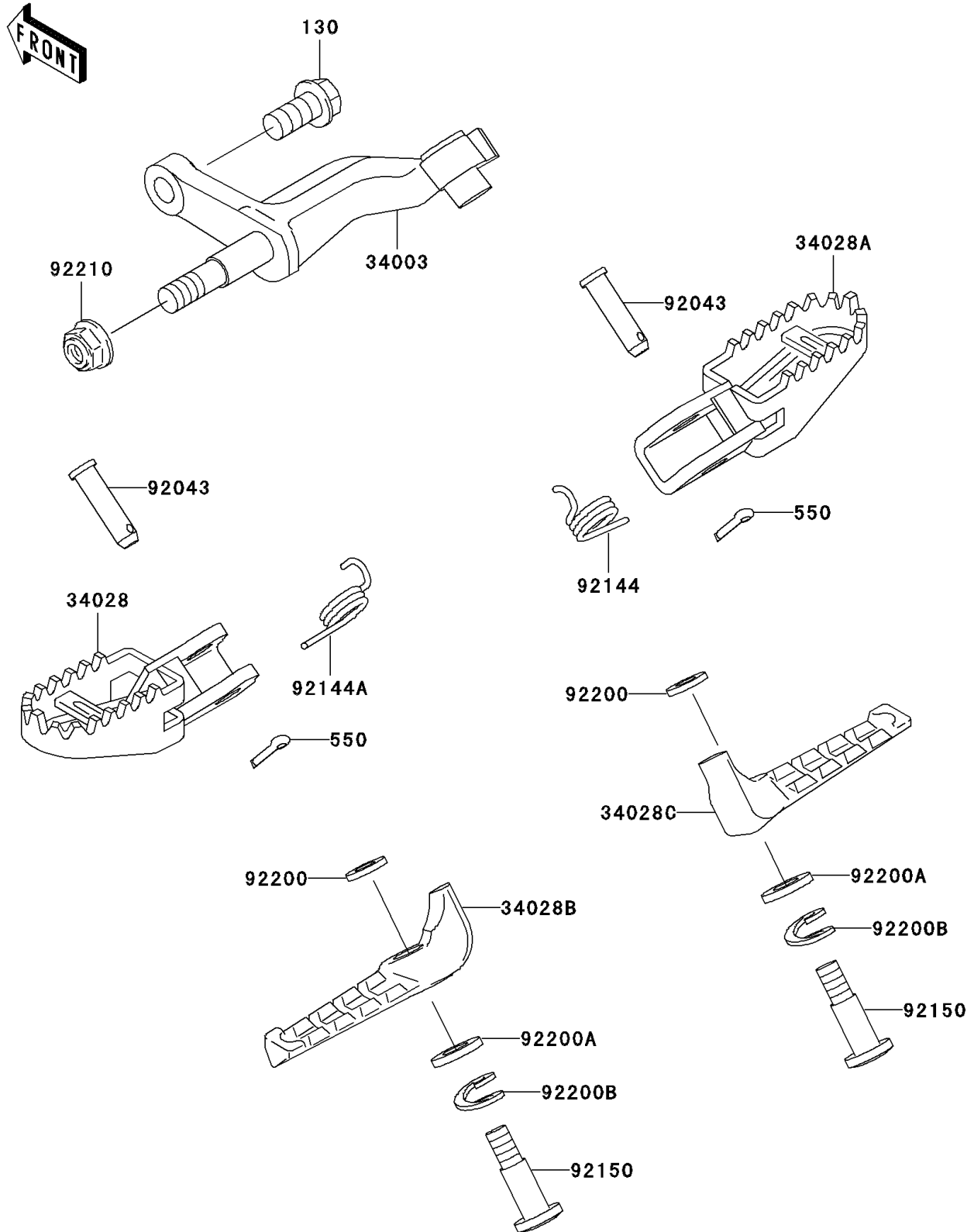


# 2007 KLX250S

## PARTS DIAGRAM

### Footrests

F2160



# 2007 KLX250S

## PARTS LIST

### Footrests

**ITEM NAME**

**PART NUMBER**

**QUANTITY**

---