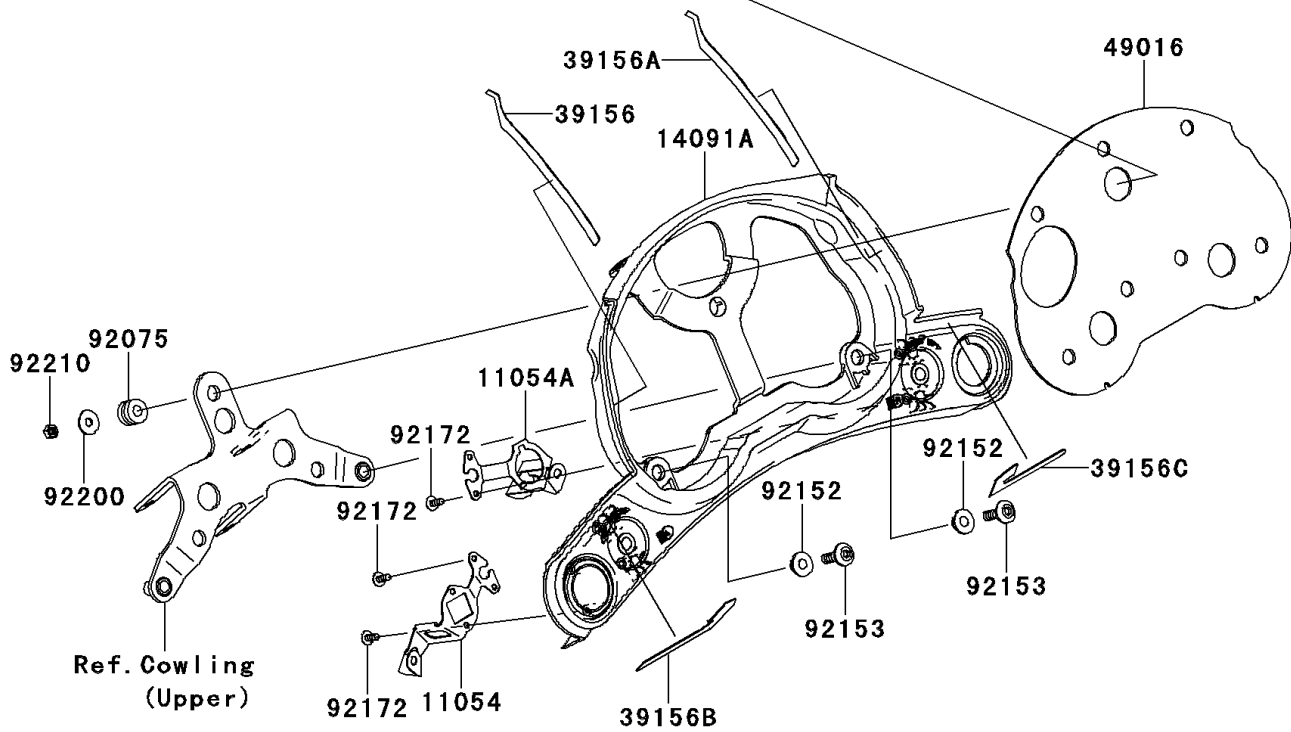
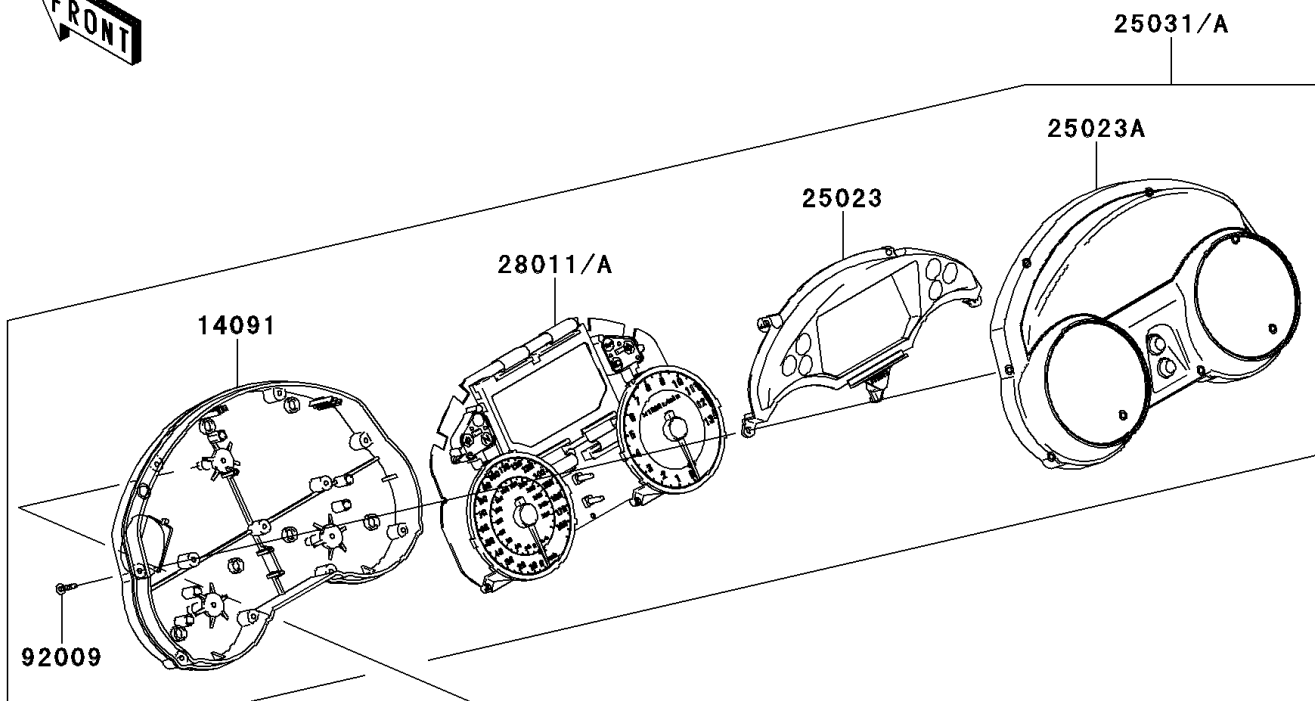


2008 Concours™ 14

PARTS DIAGRAM

Meter(s)

F2530



2008 Concours™ 14

PARTS LIST

Meter(s)

ITEM NAME

PART NUMBER

QUANTITY
