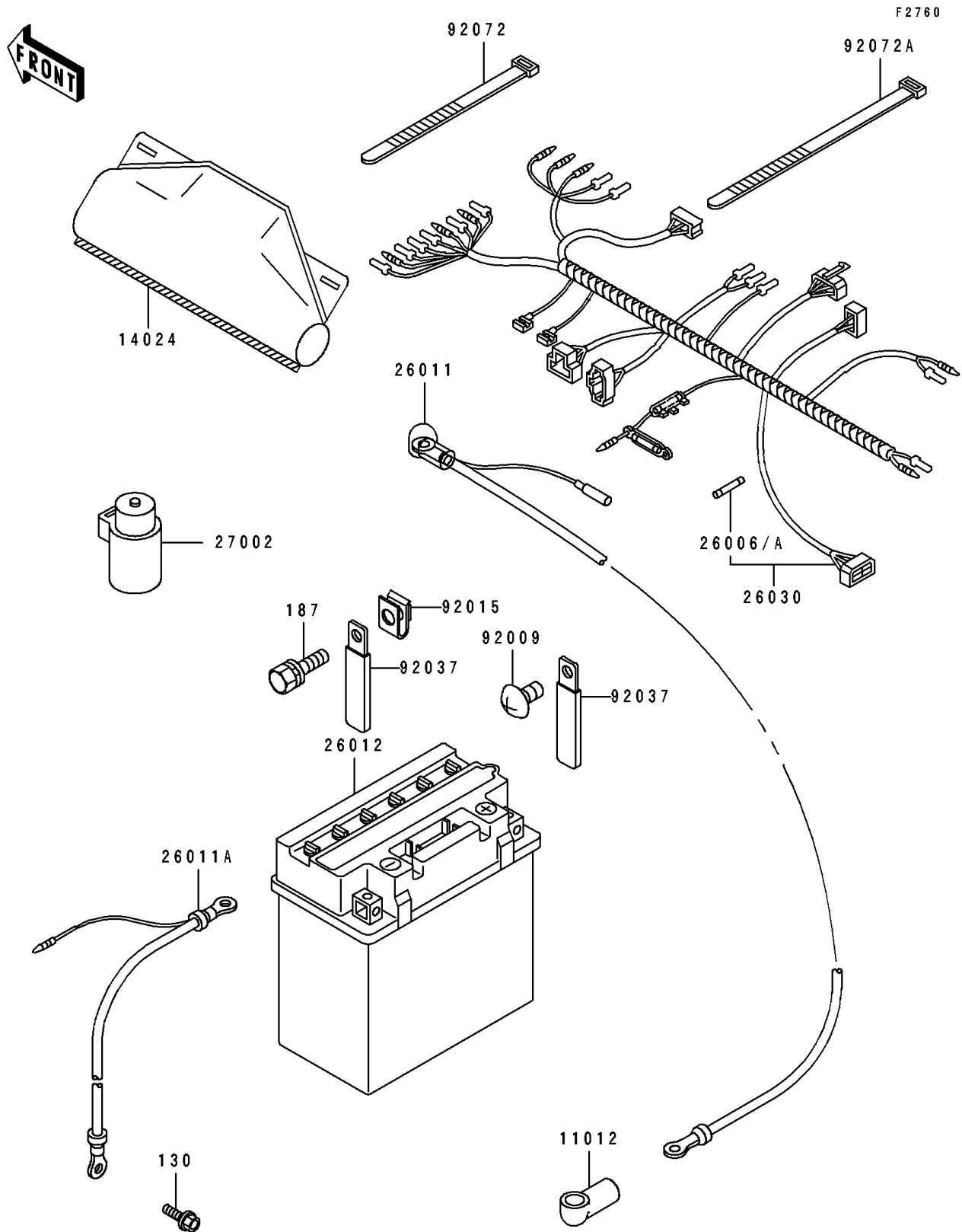


# 1994 Bayou 400 4X4

## PARTS DIAGRAM

### Chassis Electrical Equipment



# 1994 Bayou 400 4X4

## PARTS LIST

### Chassis Electrical Equipment

ITEM NAME	PART NUMBER	QUANTITY
CAP,TERMINAL (Ref # 11012)	11012-1354	1
COVER,COUPLER (Ref # 14024)	14024-1624	1
FUSE,30A,L=30 (Ref # 26006)	26006-1059	2
FUSE,8A,L=30 (Ref # 26006A)	26006-1062	1
WIRE-LEAD,BATTERY(+) (Ref # 26011)	26011-1513	1
WIRE-LEAD,BATTERY(-) (Ref # 26011A)	26011-1514	1
BATTERY,YB16CL-B,12V 19AH (Ref # 26012)	26012-1242	1
HARNESS,MAIN (Ref # 26030)	26030-1119	1
RELAY-ASSY (Ref # 27002)	27002-1051	1
SCREW,TAPPING,4X8 (Ref # 92009)	92009-1155	3
NUT,6MM (Ref # 92015)	92015-1671	2
CLAMP,WIRING HARNESS (Ref # 92037)	92037-1069	5
BAND,L=123 (Ref # 92072)	92072-030	2
BAND,L=188 (Ref # 92072A)	92072-1239	14
BOLT-FLANGED,6X10 (Ref # 130)	130B0610	1
BOLT-UPSET-WSP (Ref # 187)	187C0614	2