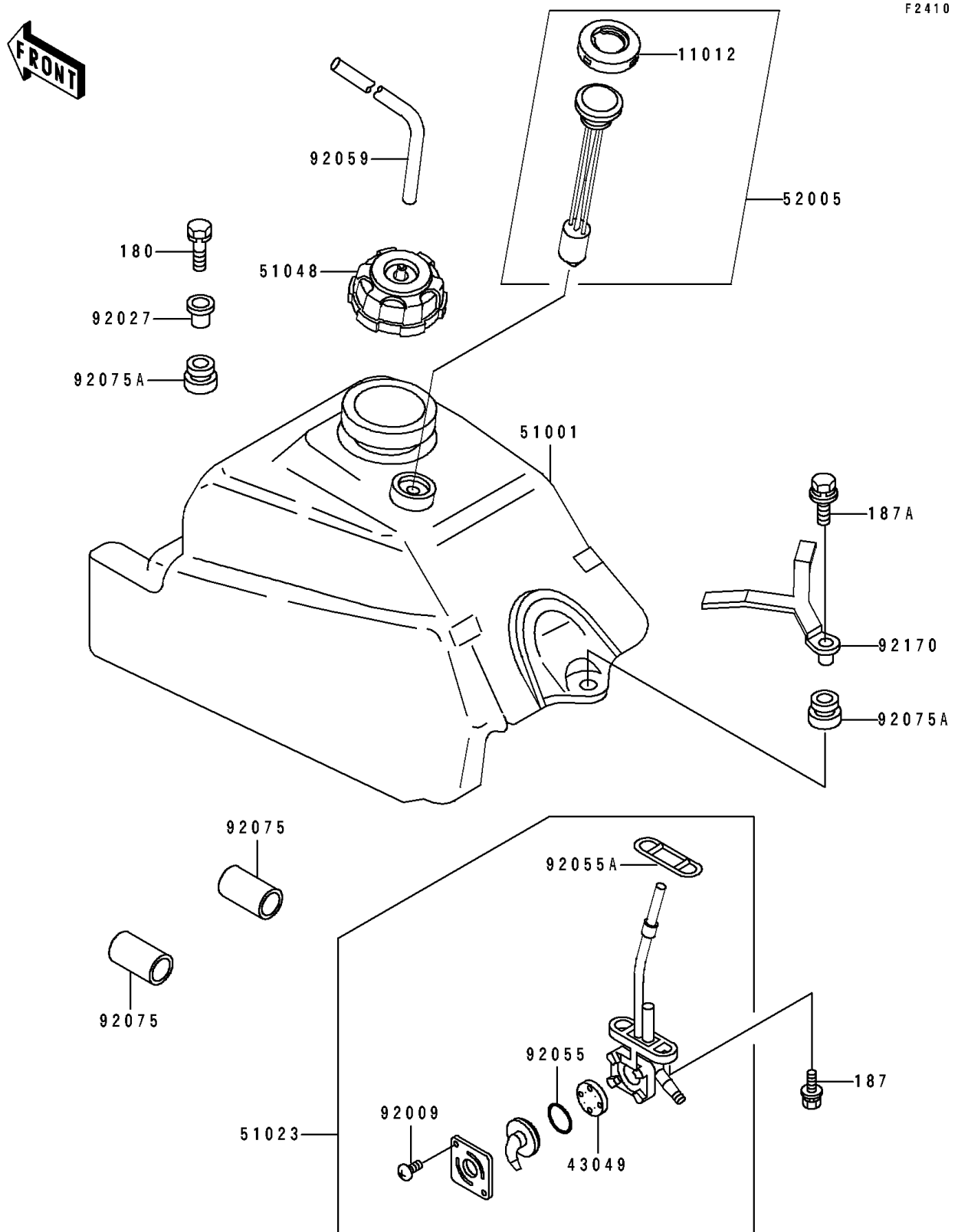


# 1995 Bayou 400 4X4

## PARTS DIAGRAM

### Fuel Tank



# 1995 Bayou 400 4X4

## PARTS LIST

Fuel Tank

**ITEM NAME**

**PART NUMBER**

**QUANTITY**

---