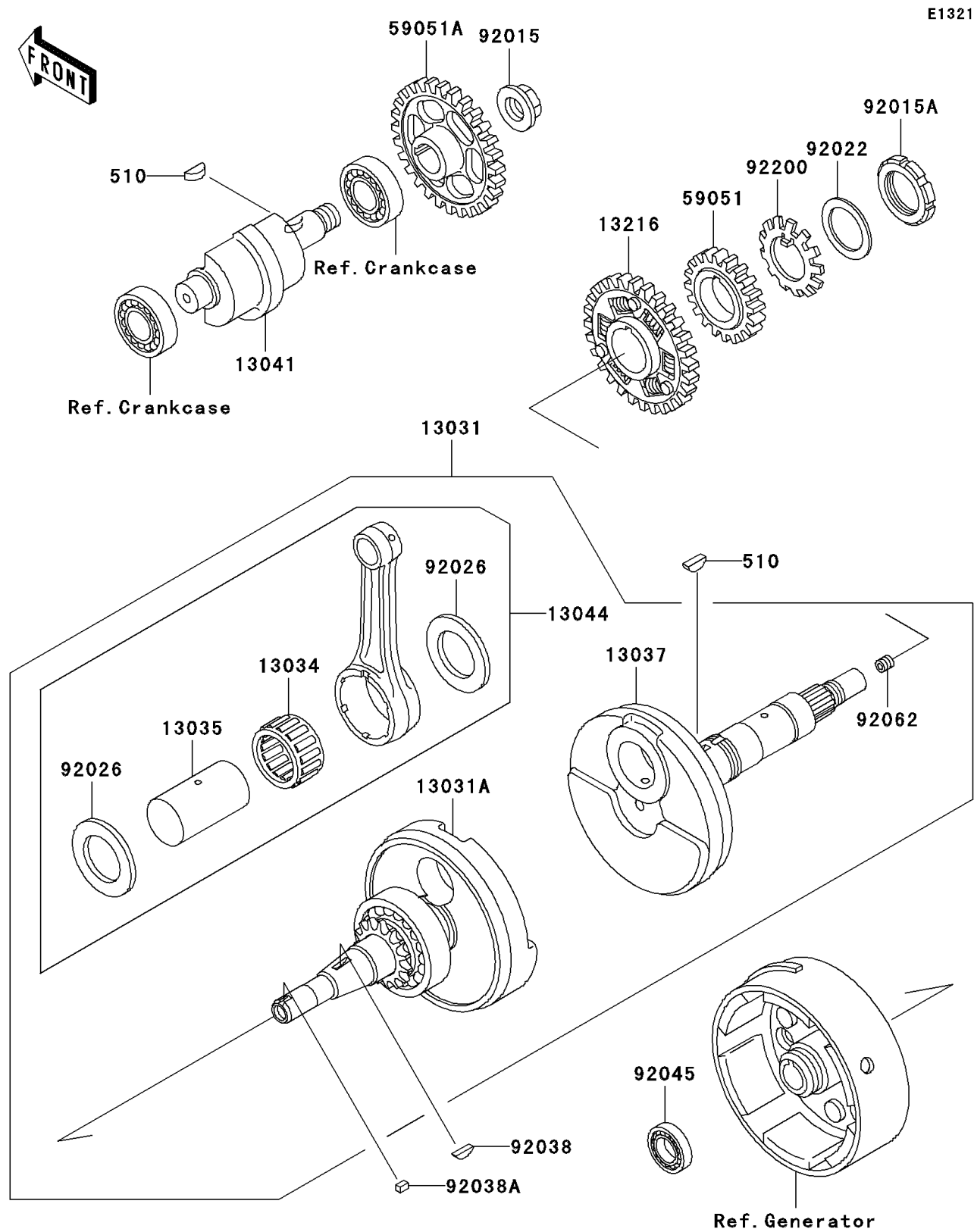


# 1999 Bayou 300 4X4

## PARTS DIAGRAM

### Crankshaft



# 1999 Bayou 300 4X4

## PARTS LIST

### Crankshaft

**ITEM NAME**

**PART NUMBER**

**QUANTITY**

---