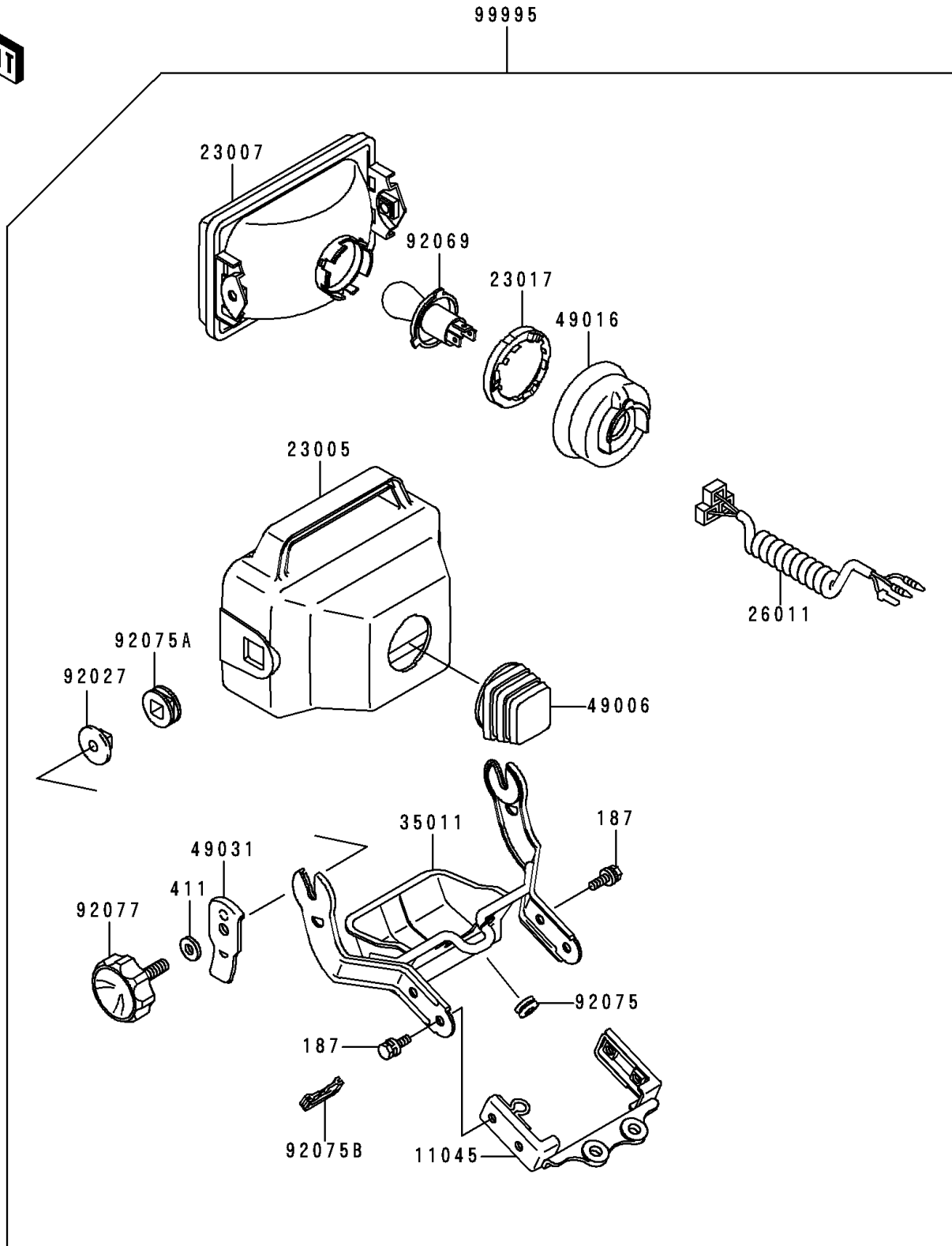


1989 Bayou 300 4X4

PARTS DIAGRAM

Optional Parts(Headlight)

F2890C



1989 Bayou 300 4X4

PARTS LIST

Optional Parts(Headlight)

ITEM NAME

PART NUMBER

QUANTITY
