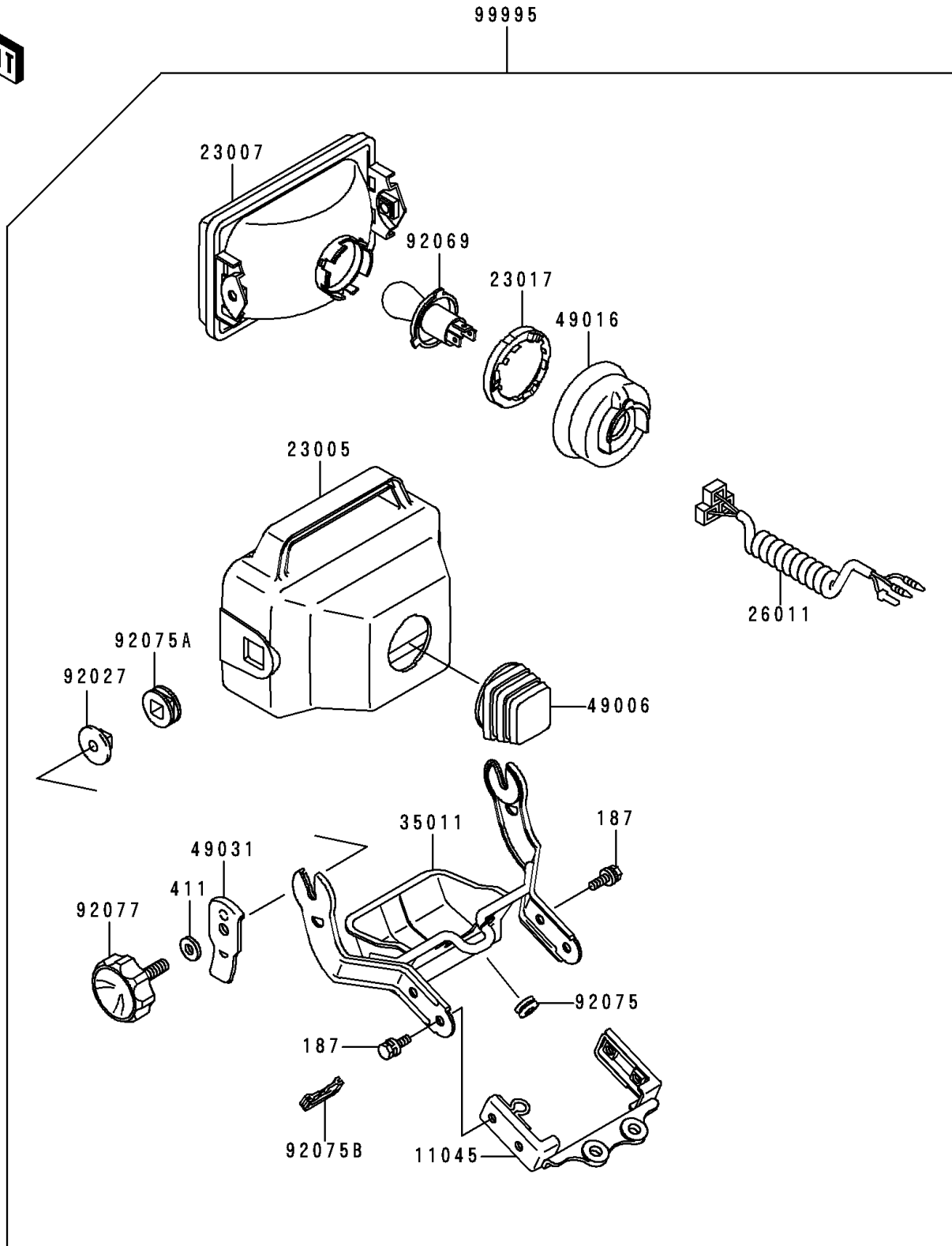


# 1990 Bayou 300 4X4

## PARTS DIAGRAM

### Optional Parts(Headlight)

F2890C



# 1990 Bayou 300 4X4

## PARTS LIST

Optional Parts(Headlight)

**ITEM NAME**

**PART NUMBER**

**QUANTITY**

---