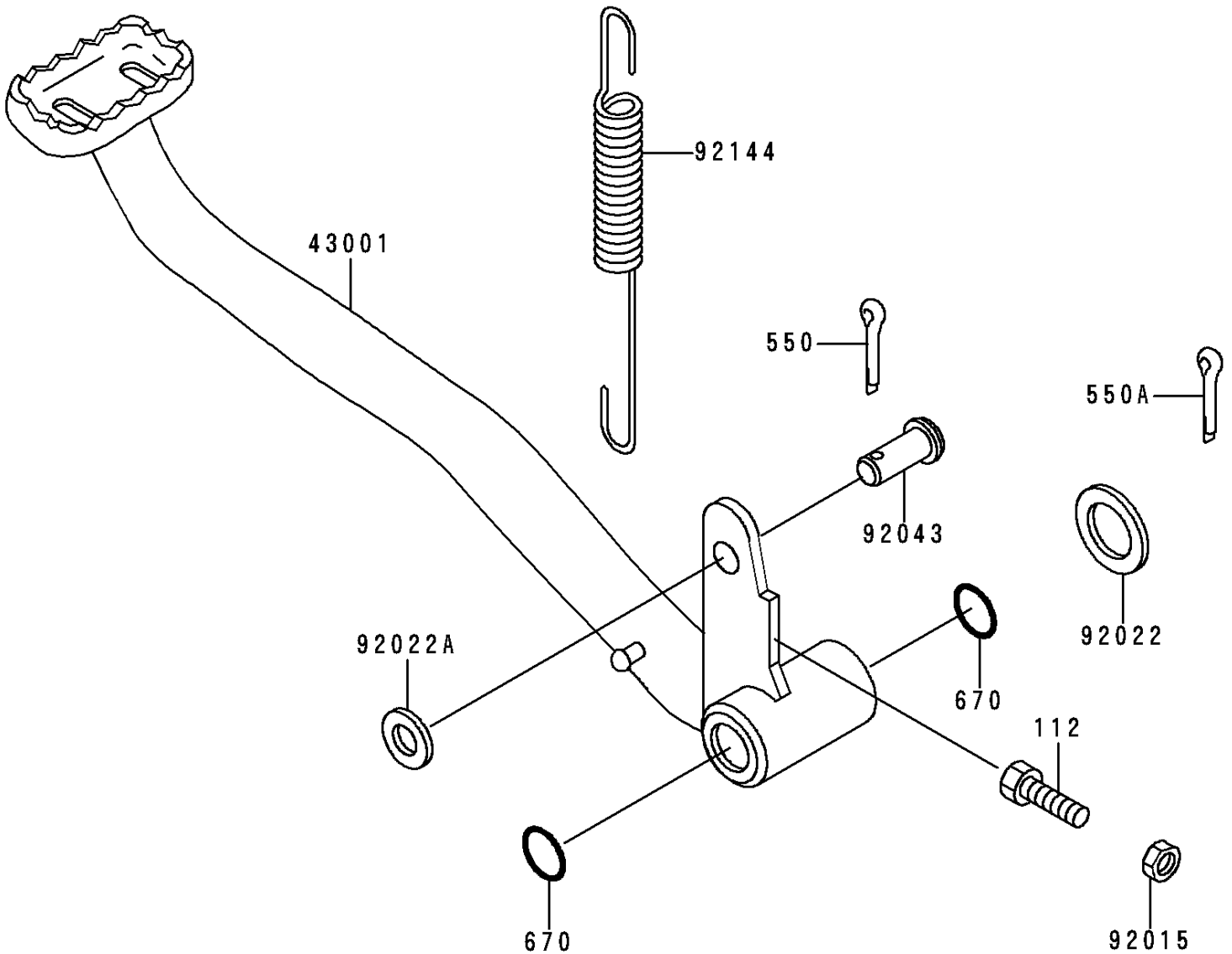


# 1990 Bayou 300 4X4

## PARTS DIAGRAM

### Brake Pedal



# 1990 Bayou 300 4X4

## PARTS LIST

### Brake Pedal

**ITEM NAME**

**PART NUMBER**

**QUANTITY**

---