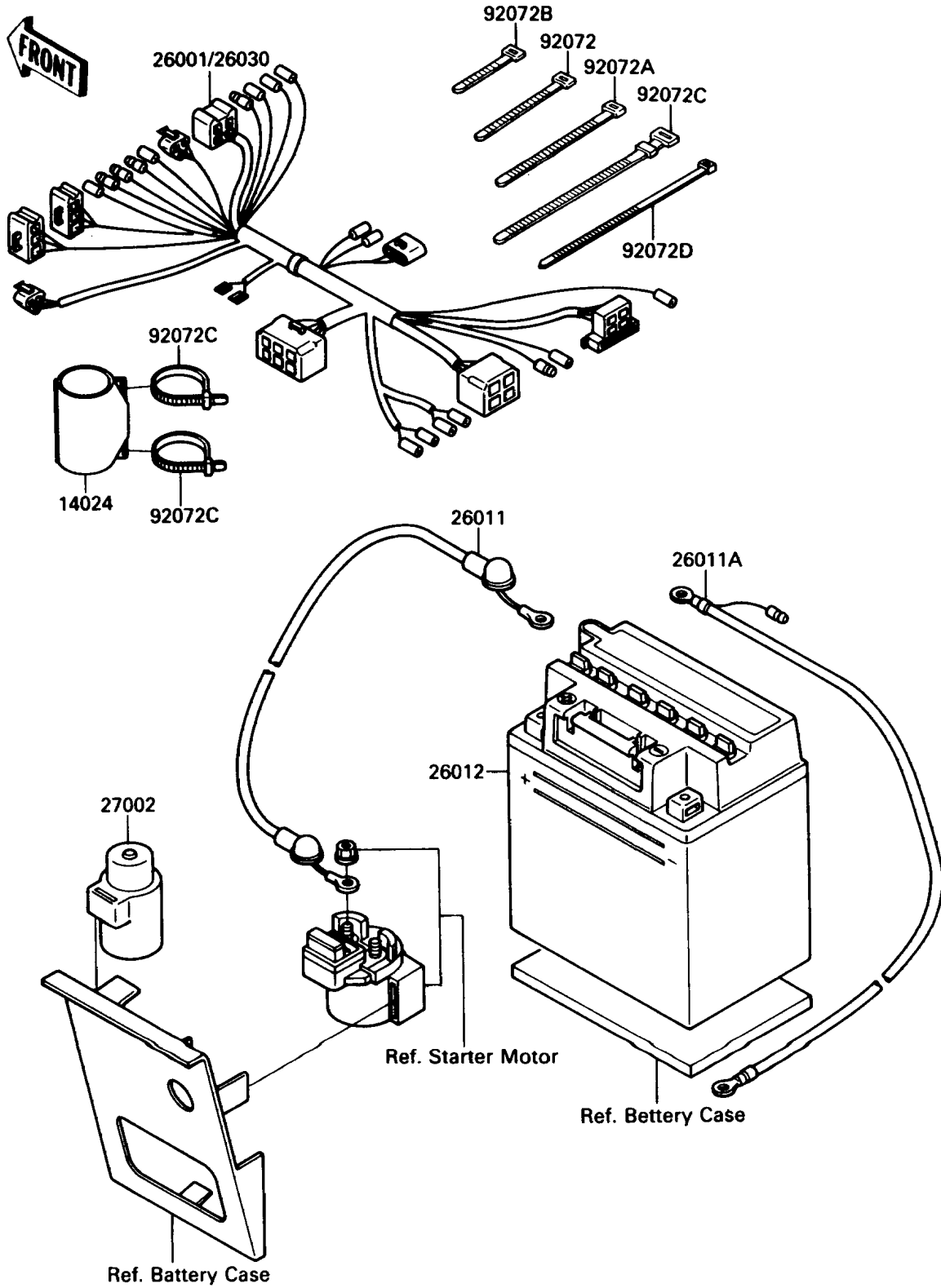


# 1990 Bayou 220

## PARTS DIAGRAM

### Electrical Equipment

F2760



# 1990 Bayou 220

## PARTS LIST

### Electrical Equipment

**ITEM NAME**

**PART NUMBER**

**QUANTITY**

---