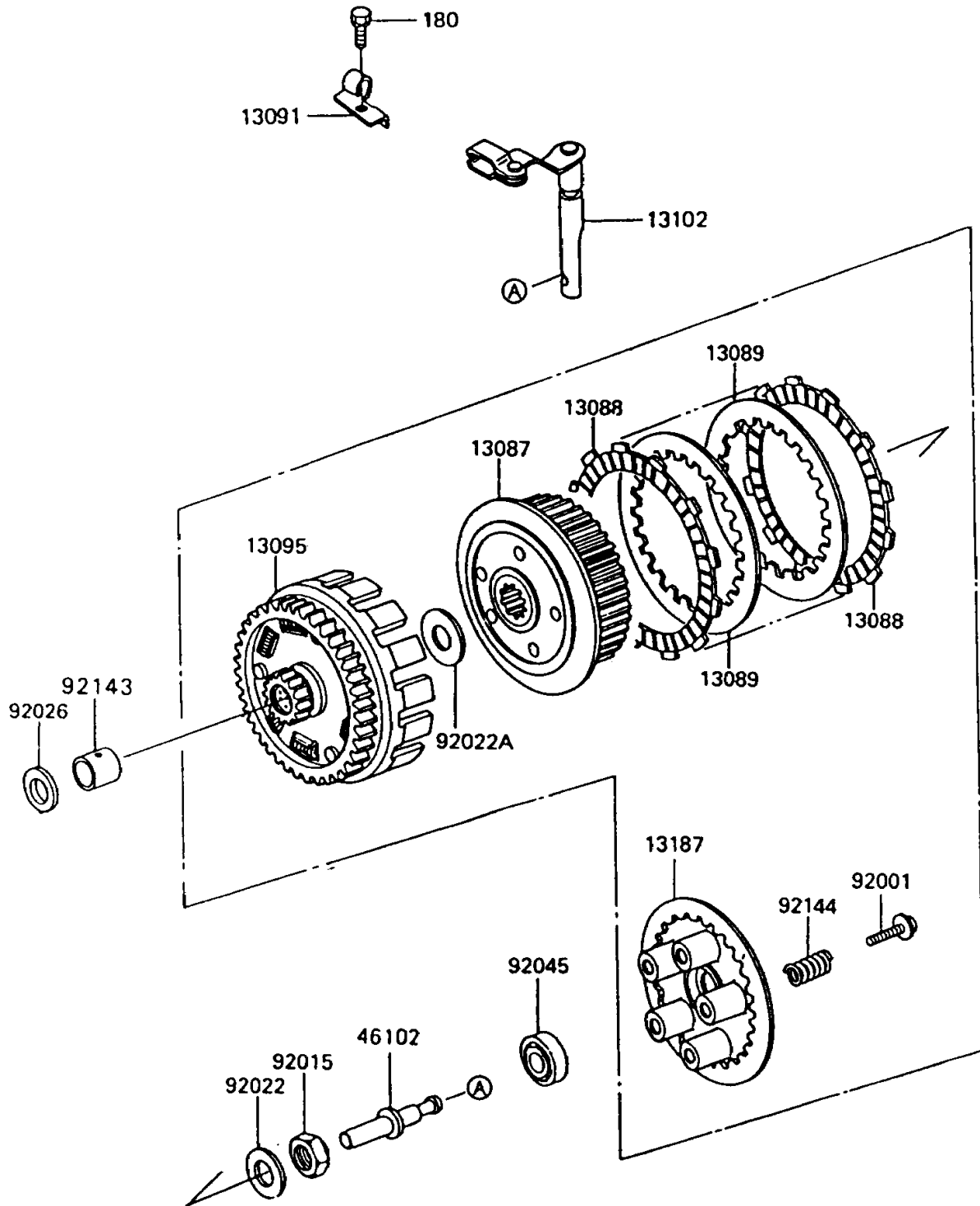


# 1995 KLR650

## PARTS DIAGRAM

### Clutch

E1350



# 1995 KLR650

## PARTS LIST

### Clutch

ITEM NAME	PART NUMBER	QUANTITY
HUB-CLUTCH (Ref # 13087)	13087-1162	1
PLATE-FRICTION (Ref # 13088)	13088-040	7
PLATE-CLUTCH,T=2.0 (Ref # 13089)	13089-1068	6
HOLDER,CLUTCH CABLE (Ref # 13091)	13091-1257	1
HOUSING-COMP-CLUTCH (Ref # 13095)	13095-1157	1
RELEASE-COMP-CLUTCH (Ref # 13102)	13102-1074	1
PLATE-CLUTCH OPERATING (Ref # 13187)	13187-1012	1
ROD,CLUTCH (Ref # 46102)	46102-1030	1
BOLT,FLANGED,6X18 (Ref # 92001)	92001-1066	5
NUT,20MM (Ref # 92015)	92015-1555	1
WASHER,20.3X36X2.3 (Ref # 92022)	92022-1116	1
WASHER,25.5X52.6X2 (Ref # 92022A)	92022-1476	1
SPACER,25.1X38X4 (Ref # 92026)	92026-1206	1
BEARING-BALL,6001C3ML01 (Ref # 92045)	92045-1235	1
COLLAR,25X30X29.2 (Ref # 92143)	92143-1722	1
SPRING,CLUTCH (Ref # 92144)	92144-1151	5
BOLT-UPSET-WS (Ref # 180)	180J0612	1