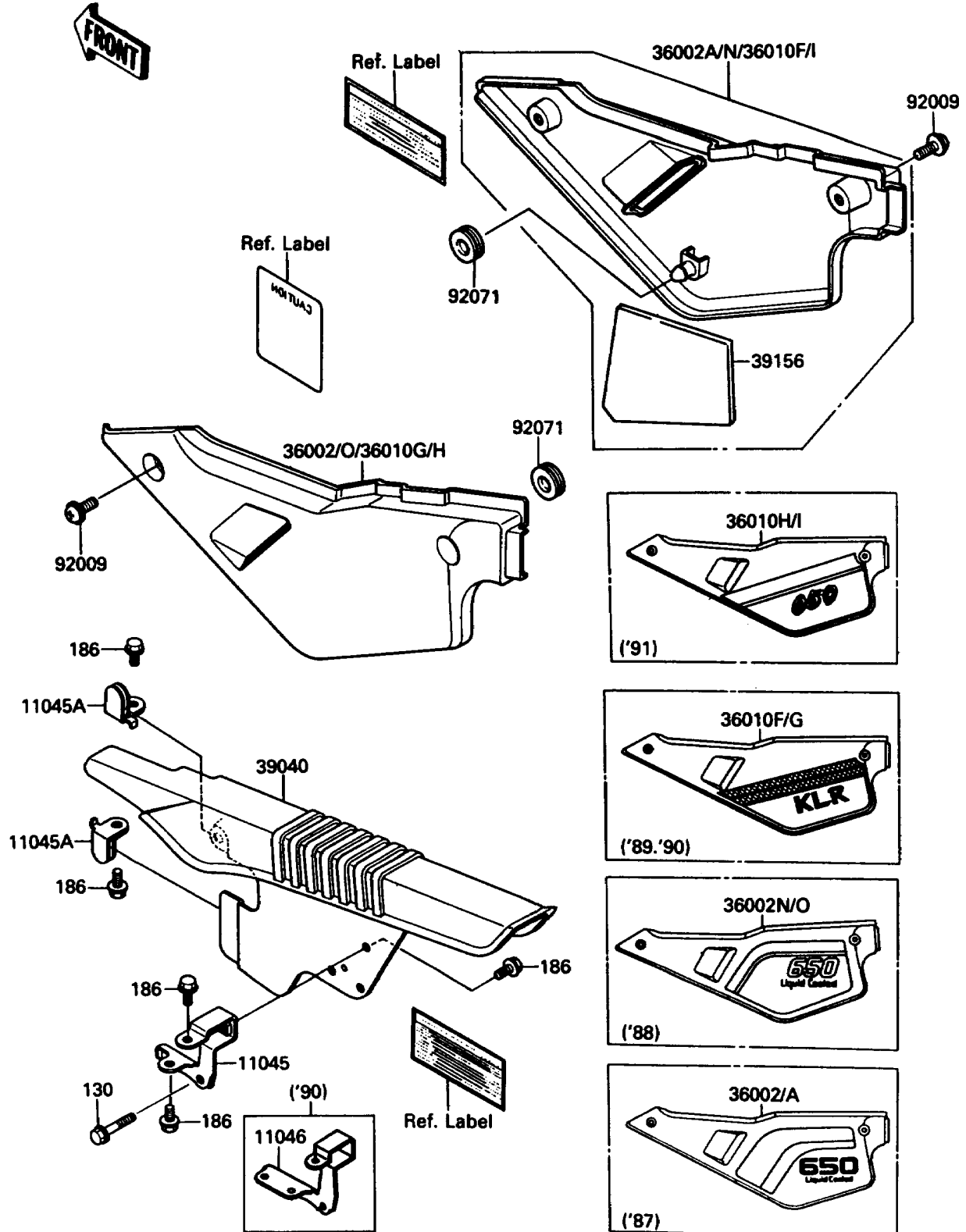


1991 KLR650

PARTS DIAGRAM

Side Cover/Chain Case

F2610



1991 KLR650

PARTS LIST

Side Cover/Chain Case

ITEM NAME

PART NUMBER

QUANTITY
