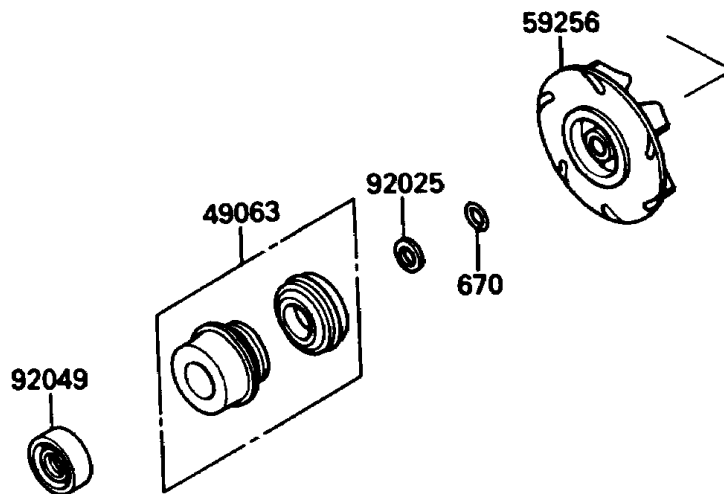
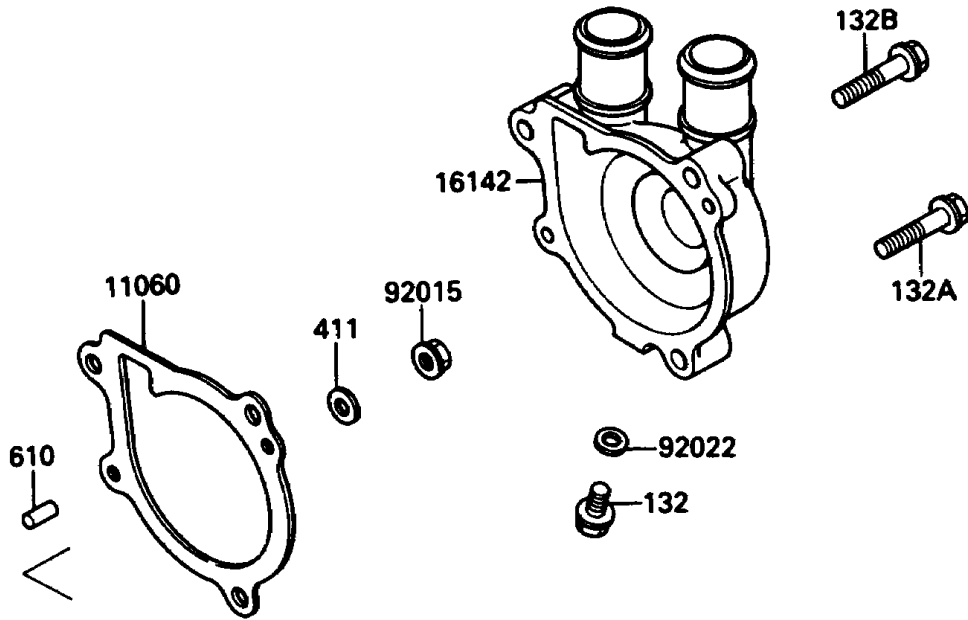


# 1989 KLR650

## PARTS DIAGRAM

### Water Pump

E3031



# 1989 KLR650

## PARTS LIST

### Water Pump

**ITEM NAME**

**PART NUMBER**

**QUANTITY**

---