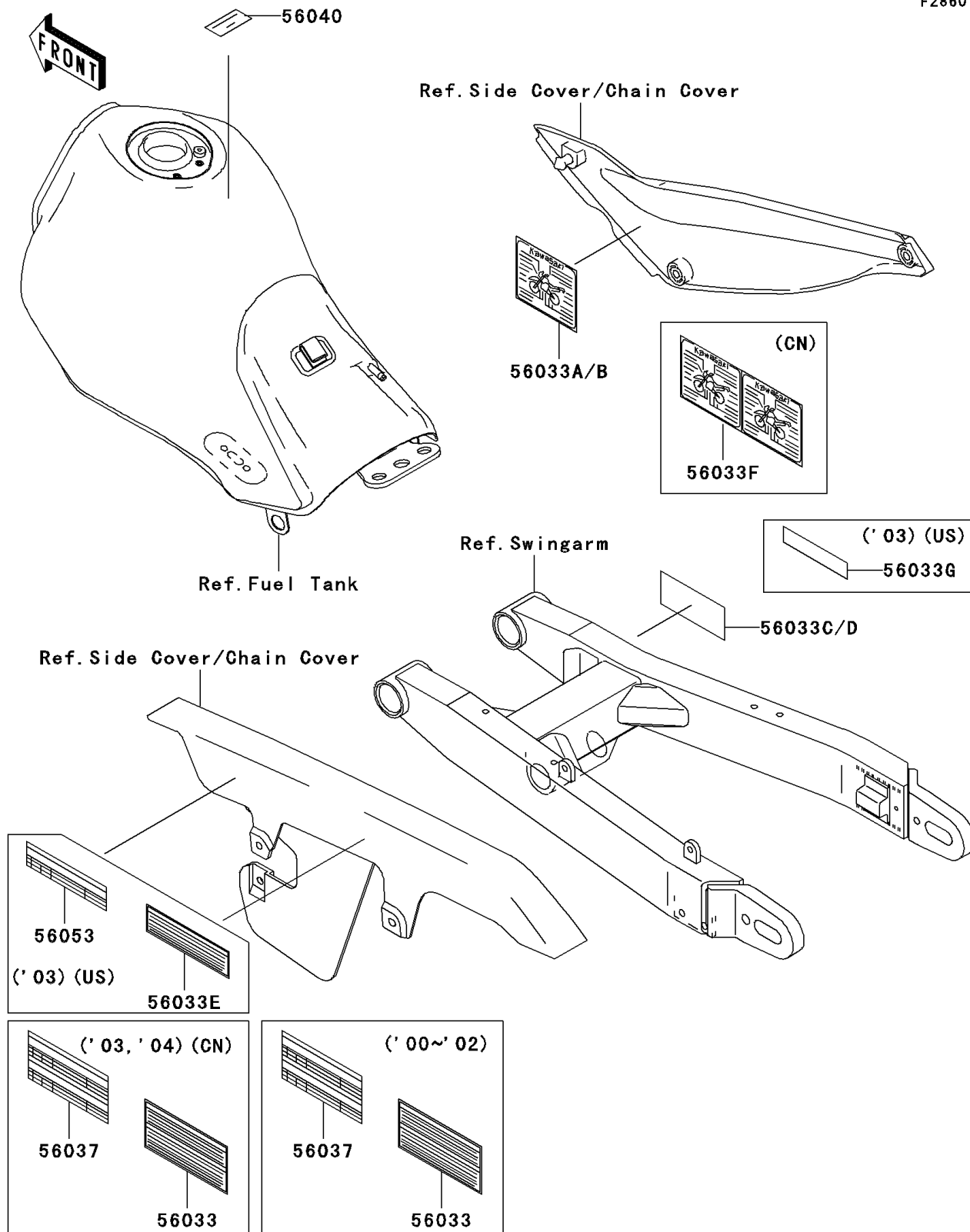


2002 Super Sherpa

PARTS DIAGRAM

Labels

F2860



2002 Super Sherpa

PARTS LIST

Labels

ITEM NAME

PART NUMBER

QUANTITY
