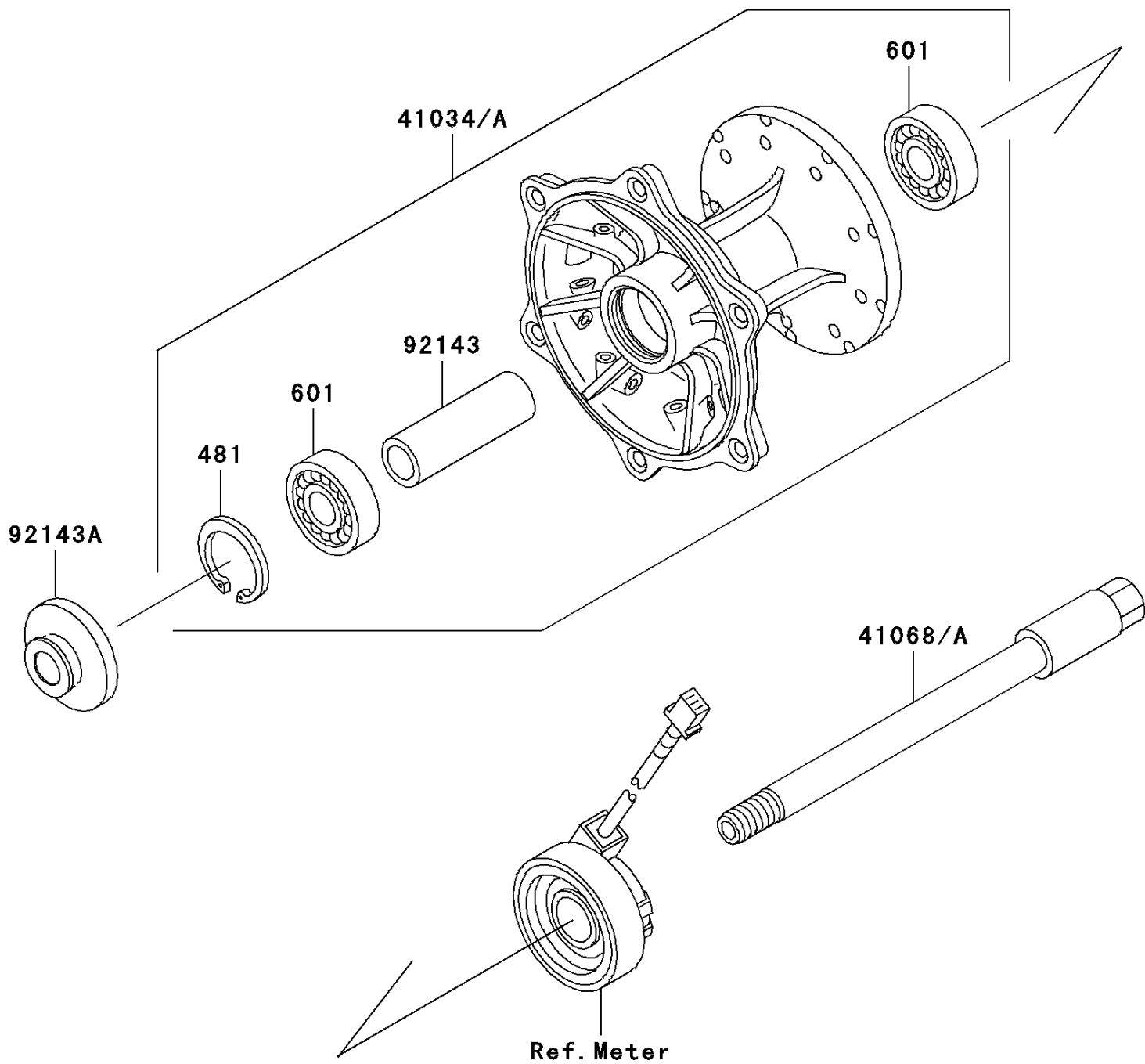


# 2001 Super Sherpa

## PARTS DIAGRAM

### Front Hub



# 2001 Super Sherpa

## PARTS LIST

### Front Hub

**ITEM NAME**

**PART NUMBER**

**QUANTITY**

---