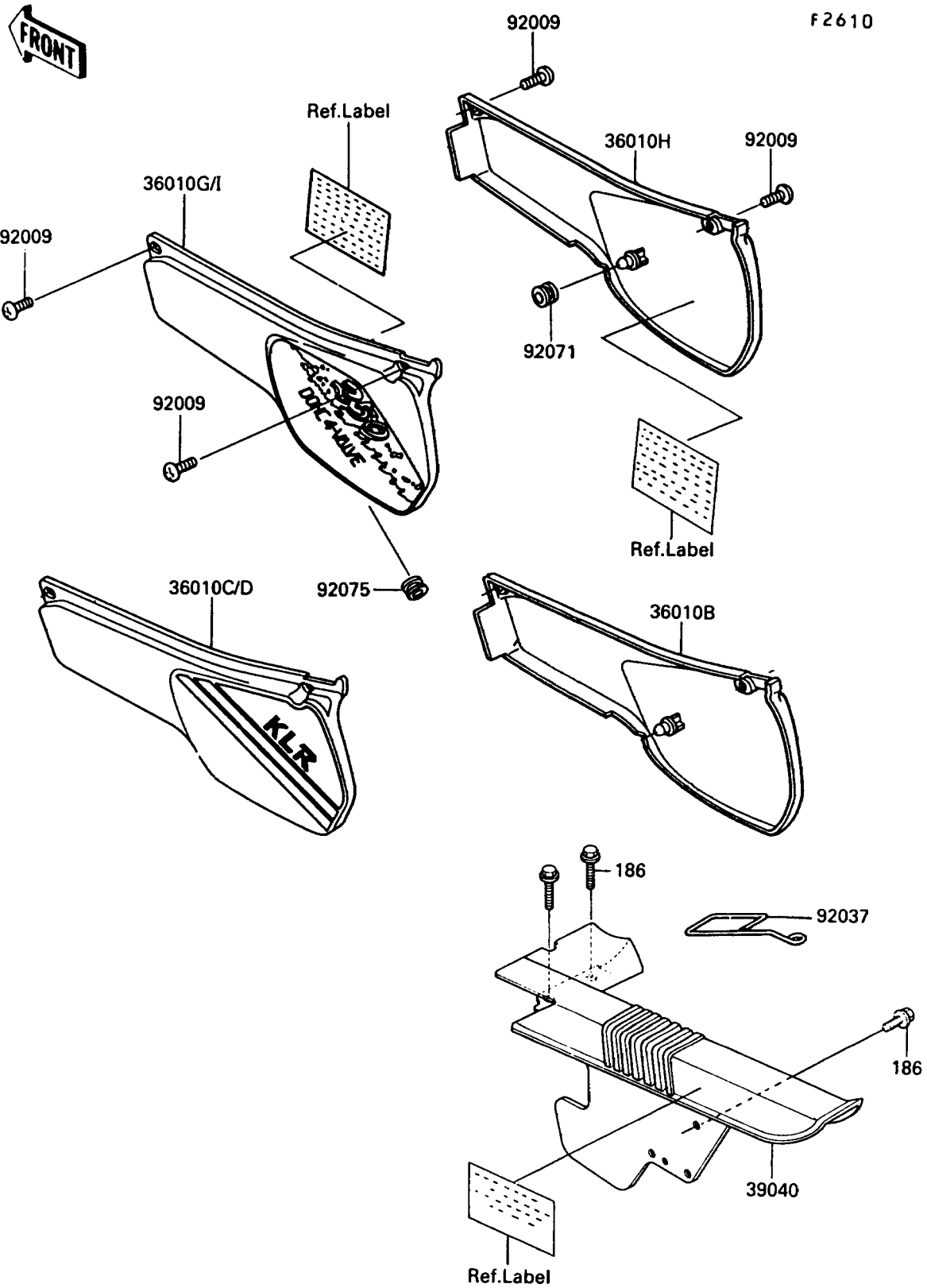


1991 KLR250

PARTS DIAGRAM

Side Cover/Chain Case



1991 KLR250

PARTS LIST

Side Cover/Chain Case

ITEM NAME

PART NUMBER

QUANTITY
