

1992 KLR250

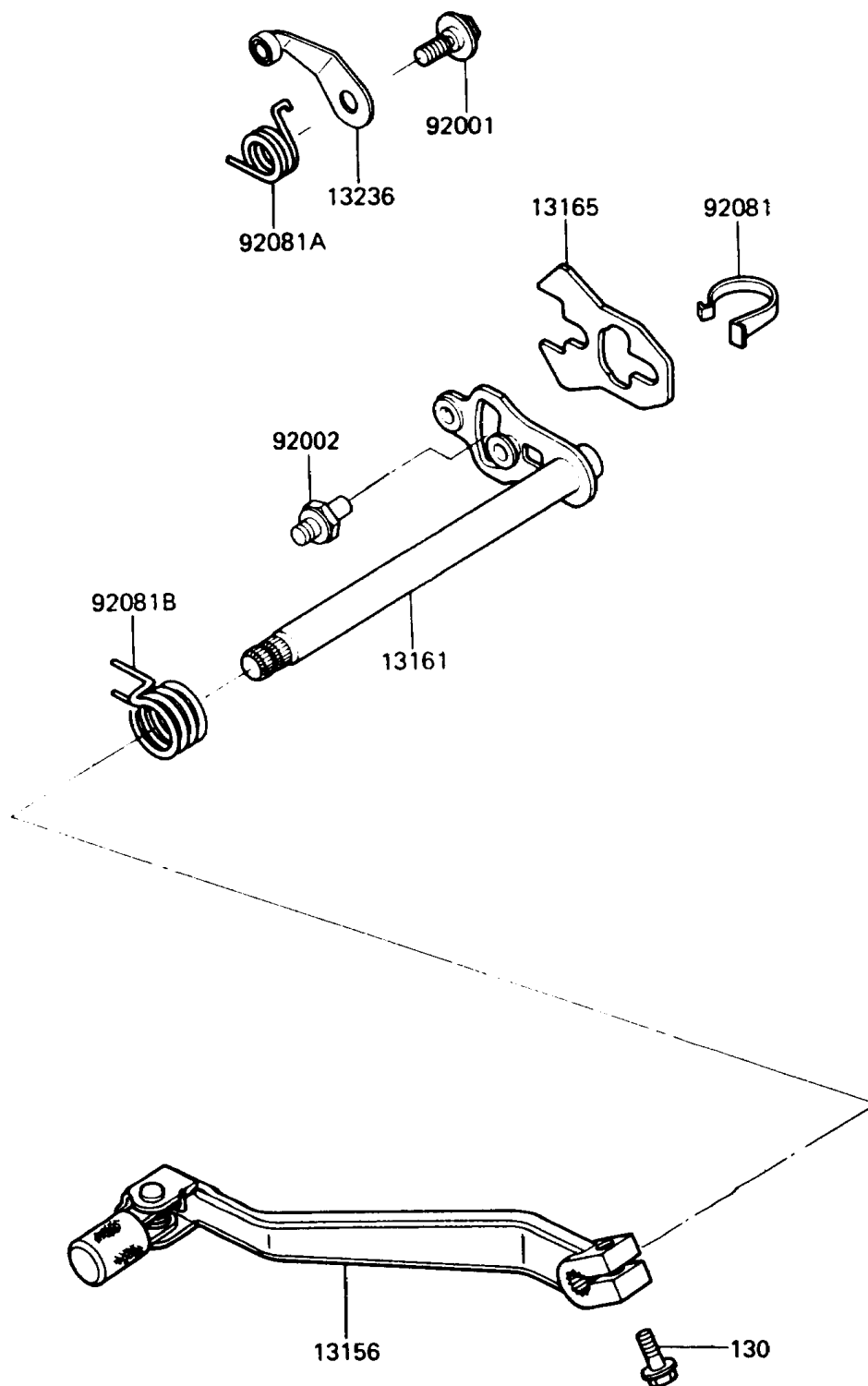
PARTS DIAGRAM

Gear Change Mechanism

Kawasaki

Let the Good Times Roll®

E1370



1992 KLR250

PARTS LIST

Gear Change Mechanism

Kawasaki

Let the Good Times Roll®

ITEM NAME

PART NUMBER

QUANTITY
