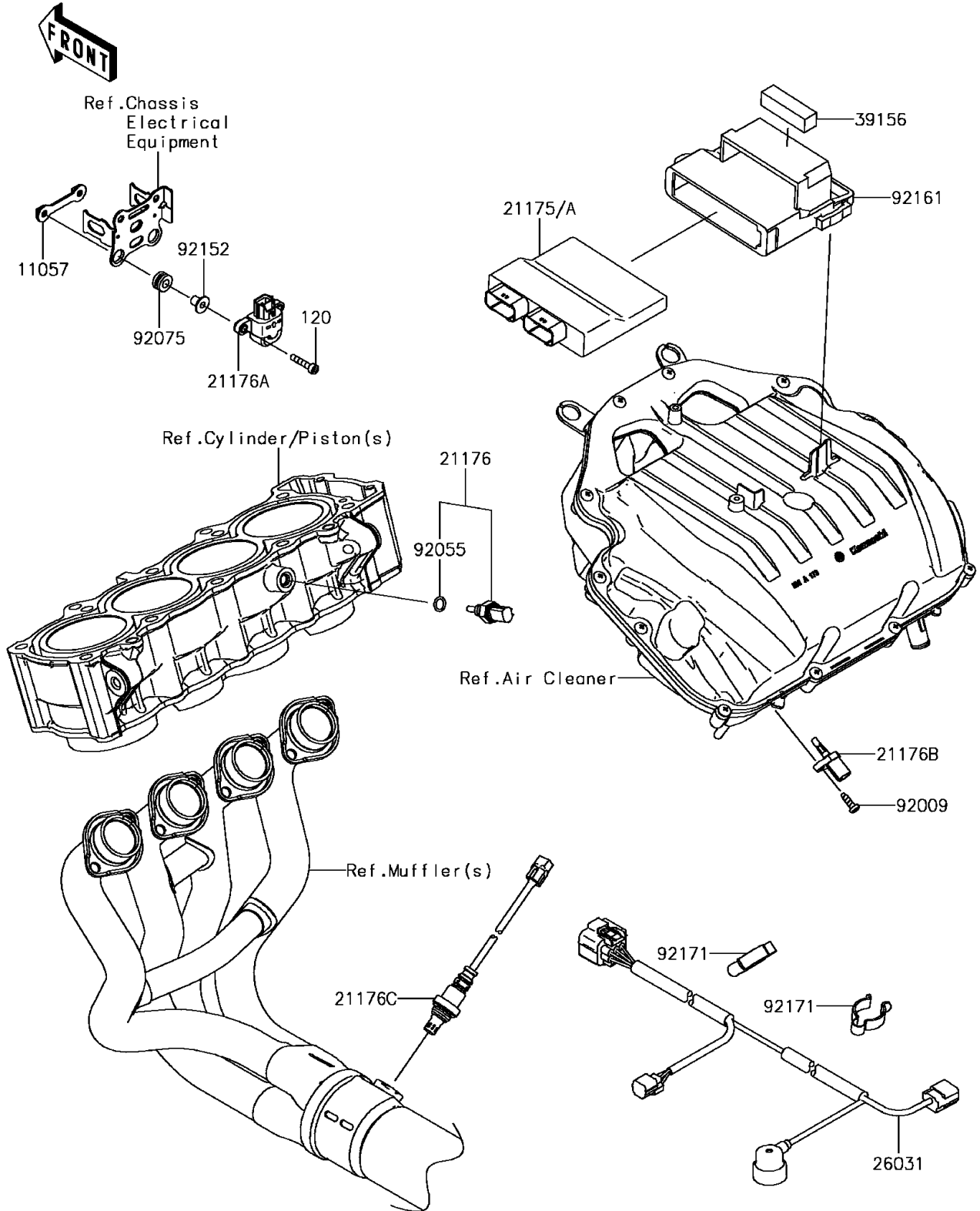


# 2017 Z900

## PARTS DIAGRAM

### Fuel Injection

E1530



# 2017 Z900

## PARTS LIST

### Fuel Injection

| ITEM NAME                              | PART NUMBER | QUANTITY |
|----------------------------------------|-------------|----------|
| BOLT-SOCKET,5X25 (Ref # 120)           | 120CA0525   | 2        |
| BRACKET,VEHICLE DOWN (Ref # 11057)     | 11057-0287  | 1        |
| SENSOR,WATER TEMP (Ref # 21176)        | 21176-0009  | 1        |
| SENSOR,VEHICLE-DOWN (Ref # 21176A)     | 21176-0026  | 1        |
| SENSOR,AIR TEMPERATURE (Ref # 21176B)  | 21176-0048  | 1        |
| SENSOR,OXYGEN (Ref # 21176C)           | 21176-0835  | 1        |
| HARNESS,SUB (Ref # 26031)              | 26031-2159  | 1        |
| PAD,15X55X15 (Ref # 39156)             | 39156-2129  | 1        |
| SCREW,TAPPING,5X16 (Ref # 92009)       | 92009-1984  | 1        |
| RING-O,9.5X1.9 (Ref # 92055)           | 92055-0016  | 1        |
| DAMPER (Ref # 92075)                   | 92075-1912  | 2        |
| COLLAR,5.6X8X11.2 (Ref # 92152)        | 92152-1562  | 2        |
| DAMPER,ECU (Ref # 92161)               | 92161-1870  | 1        |
| CLAMP,CABLE (Ref # 92171)              | 92171-1283  | 2        |
| CONTROL UNIT-ELECTRONIC (Ref # 21175)  | 21175-1226  | 1        |
| CONTROL UNIT-ELECTRONIC (Ref # 21175A) | 21175-1238  | 1        |