

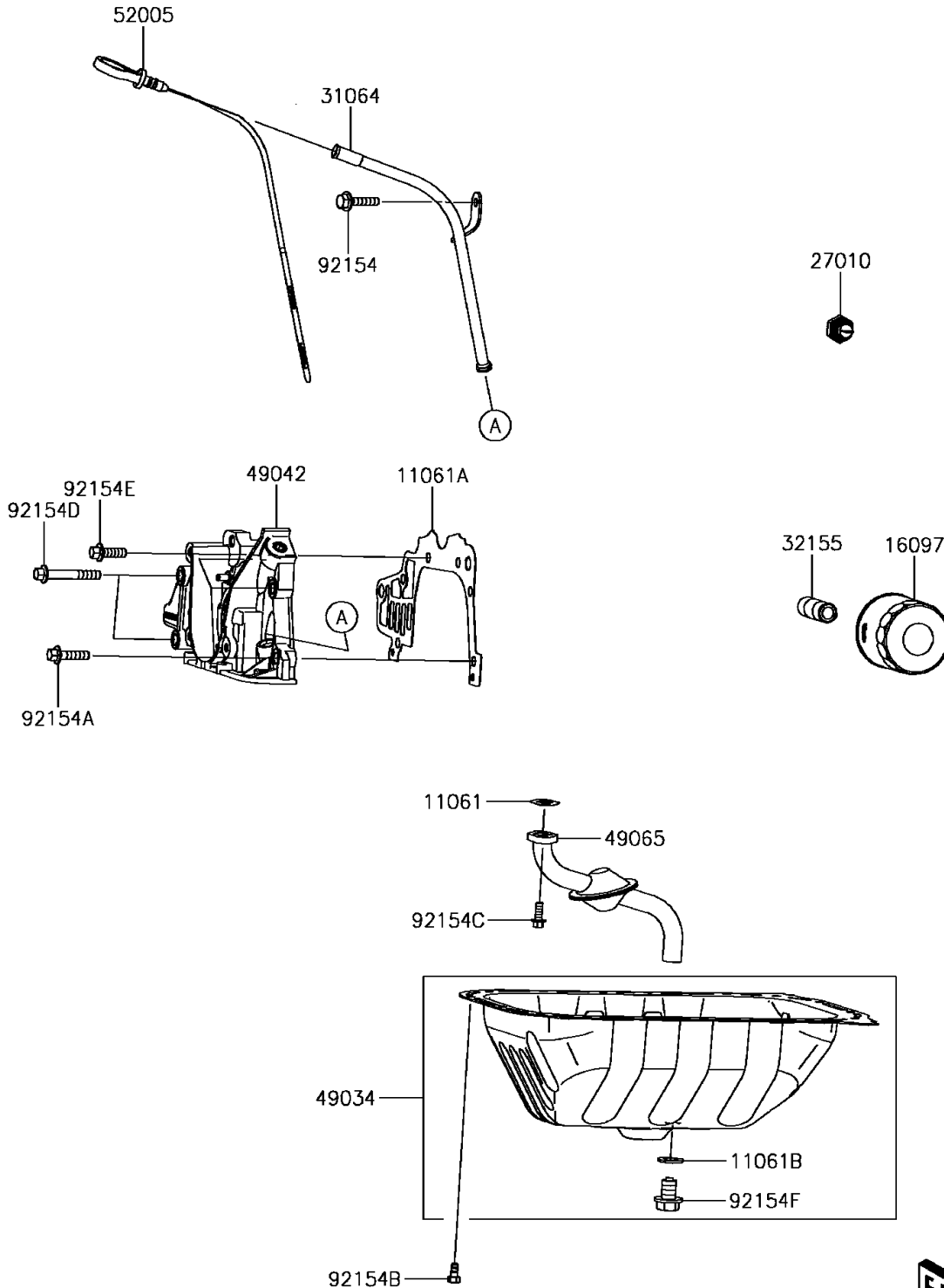
# 2017 MULE PRO-FXT™ RANCH EDITION

**Kawasaki**  
Let the Good Times Roll®

## PARTS DIAGRAM

### Oil Pump/Oil Filter

E1710



# 2017 MULE PRO-FXT™ RANCH EDITION

**Kawasaki**  
Let the Good Times Roll®

## PARTS LIST

Oil Pump/Oil Filter

**ITEM NAME**

**PART NUMBER**

**QUANTITY**

---