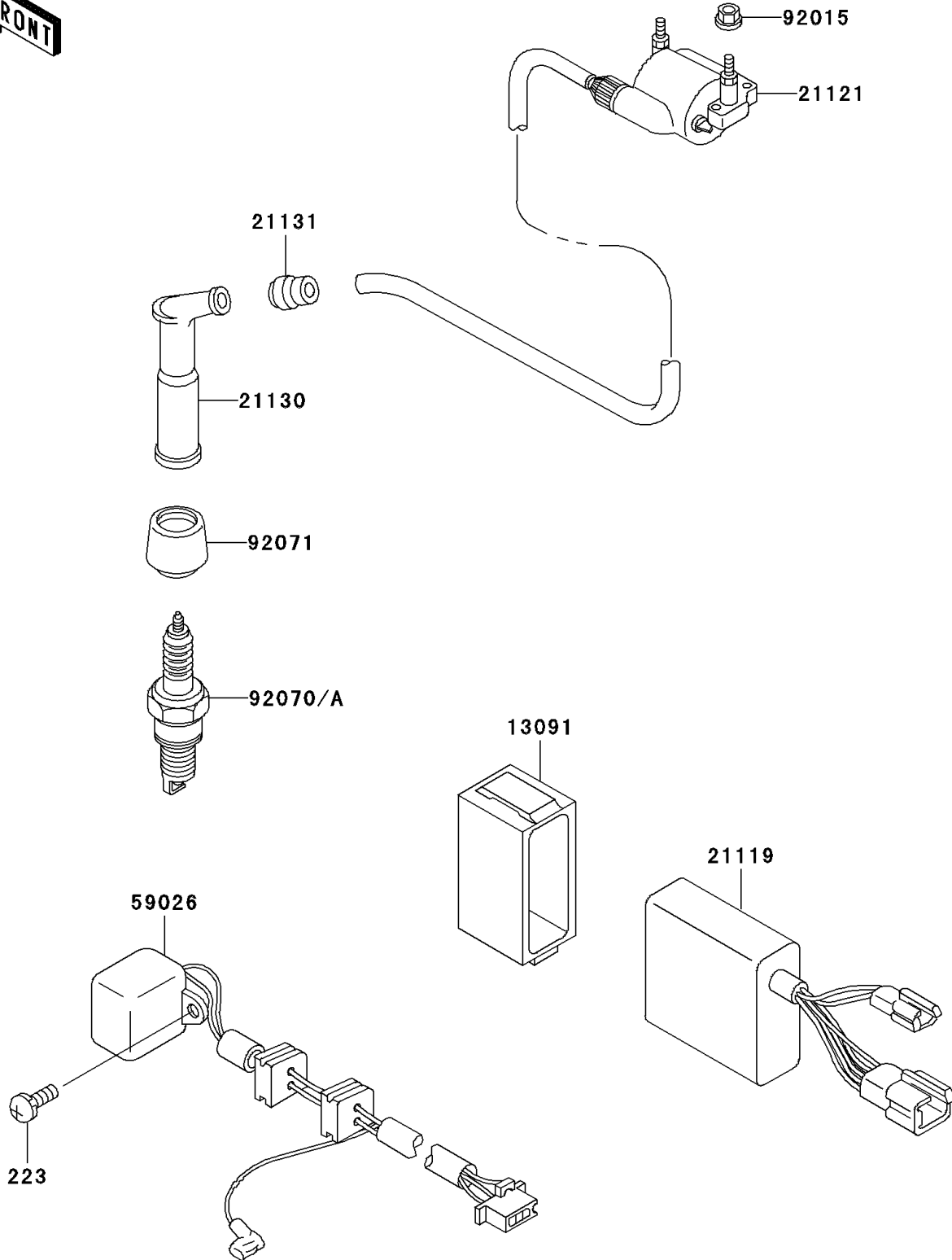


2000 KLR250

PARTS DIAGRAM

Ignition System

E1830



2000 KLR250

PARTS LIST

Ignition System

Kawasaki

Let the Good Times Roll®

ITEM NAME

PART NUMBER

QUANTITY
